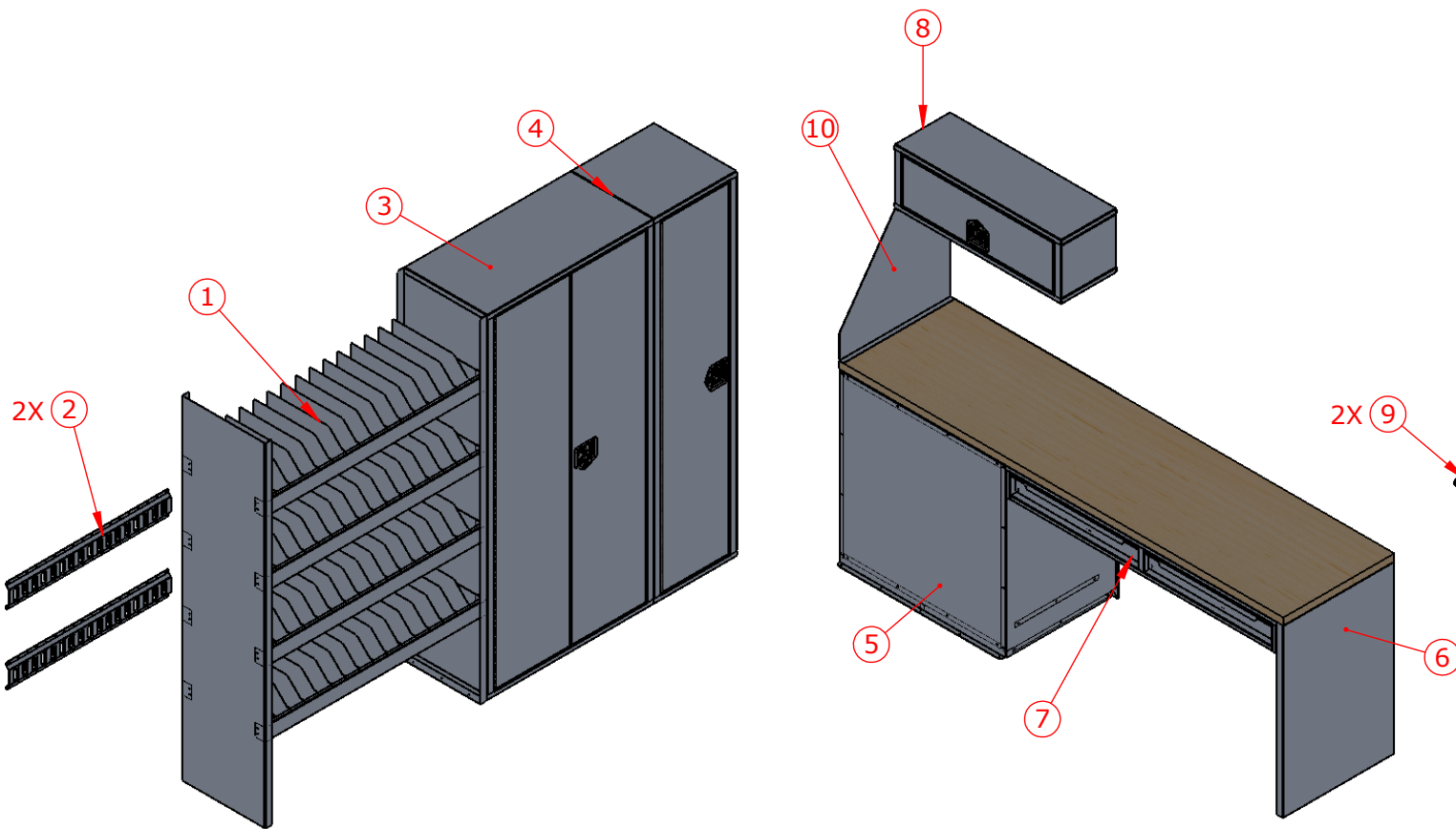


FULL LAYOUT PREVIEW



DRIVER SIDE

PASSENGER SIDE

ITEM NO.	PART NUMBER	DESCRIPTION	QTY.	Revision
1	SU-724818-008	SHELF ASSEMBLY	1	-
2	2721-E-Track	E-TRACK	2	0
3	CL-723618-004	CLOSET ASSEMBLY	1	-
4	LK-721818-006	LOCKER ASSEMBLY	1	-
5	GEN-363624-001	STORAGE BOX ASSEMBLY	1	-
6	CT-37.59624-001	COUNTER TOP ASSEMBLY	1	-
7	DUC-0658.524-001	DRAWER UNIT ASSEMBLY	1	-
8	CH-123612-001	CHEST ASSEMBLY	1	-
9	1003906	HOOK - JIMEXS 410-321	2	02
10	2721-SidePanel	SIDE PANEL	1	0



PH:(613)530.3419
FAX:(613)546.5489

DESCRIPTION
DEMO TRUCK

PART NO.
2721-A00

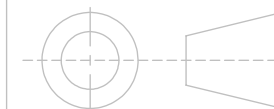
	NAME	DATE
DRAWN	VS	1/20/2017
CHECKED		
NOT RELEASED		

PROPERTIES

MATERIAL: N/A
THICKNESS: N/A
FINISH: NONE
WEIGHT: 999.66 LB

TOLERANCES UNLESS OTHERWISE SPECIFIED:

X.X ± 0.025
X.XX ± 0.010
X.XXX ± 0.005



DO NOT SCALE DRAWING

PROPRIETARY AND CONFIDENTIAL

THE INFORMATION CONTAINED IN THIS DRAWING IS THE SOLE PROPERTY OF EZSTAK LLC. ANY REPRODUCTION IN PART OR AS A WHOLE WITHOUT THE WRITTEN PERMISSION OF EZSTAK LLC IS PROHIBITED.

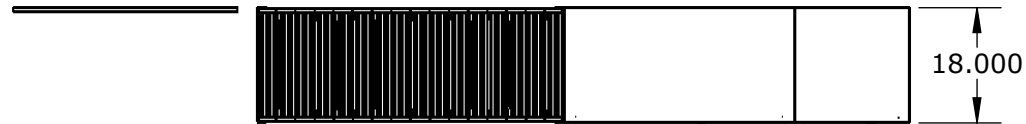
SIZE **A** REV **C4**

SCALE: 1:28 SHEET 1 OF 3

UNIT: IPS

Deburr All Edges

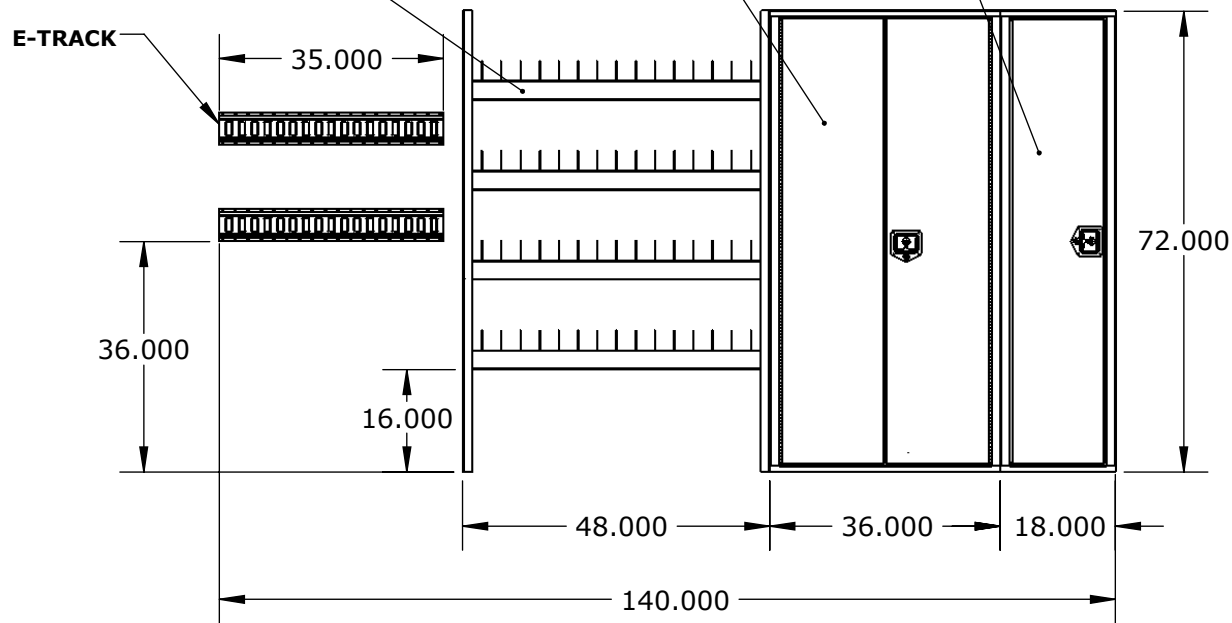
DRIVER SIDE



- SHELF UNIT - 72"HX48"WX18"D**
- ALUMINUM CONSTRUCTION
 - 4X EVENLY SPACED SHELVES
 - 15X DIVIDERS PER SHELF
 - BOTTOM SHELF TO BE 16" ABOVE GROUND

- CLOSET UNIT - 72"HX36"WX18"D**
- ALUMINUM CONSTRUCTION
 - SOLID MASTER/SLAVE DOOR
 - LOCKING T-HANDLE
 - 3X EVENLY SPACED FIXED SHELVES

- LOCKER UNIT - 72"HX18"WX18"D**
- ALUMINUM CONSTRUCTION
 - SOLID DOOR, LOCKING T-HANDLE
 - 1X FIXED SHELF
 - 2X HOOKS ON SIDES



PH:(613)530.3419
FAX:(613)546.5489

DESCRIPTION
DEMO TRUCK

PART NO.
2721-A00

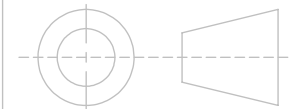
	NAME	DATE
DRAWN	VS	1/20/2017
CHECKED		
NOT RELEASED		

PROPERTIES

MATERIAL: N/A
THICKNESS: N/A
FINISH: NONE
WEIGHT: 999.66 LB

TOLERANCES UNLESS OTHERWISE SPECIFIED:

X.X ± 0.025
X.XX ± 0.010
X.XXX ± 0.005



DO NOT SCALE DRAWING

PROPRIETARY AND CONFIDENTIAL

THE INFORMATION CONTAINED IN THIS DRAWING IS THE SOLE PROPERTY OF EZSTAK LLC. ANY REPRODUCTION IN PART OR AS A WHOLE WITHOUT THE WRITTEN PERMISSION OF EZSTAK LLC IS PROHIBITED.

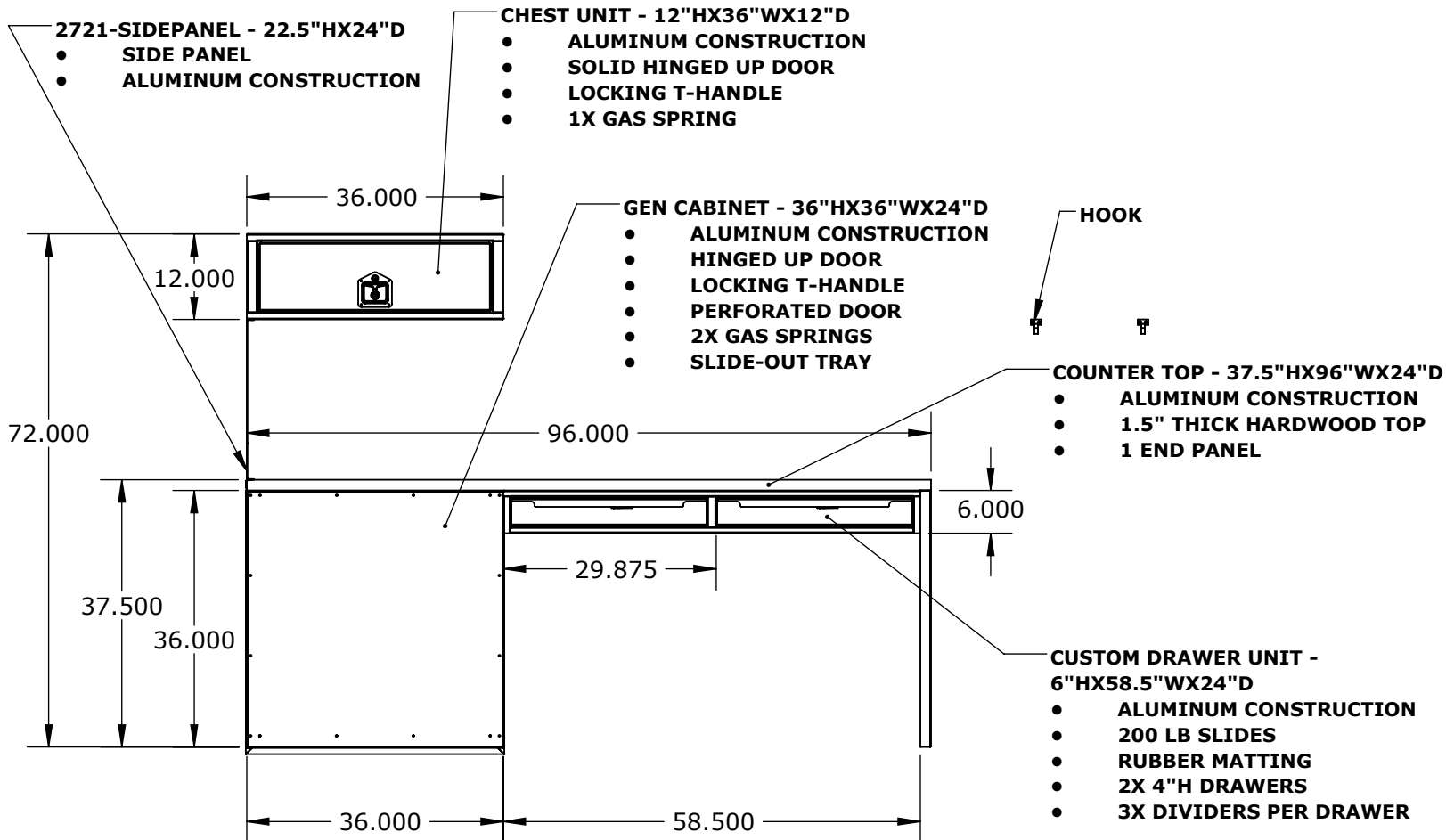
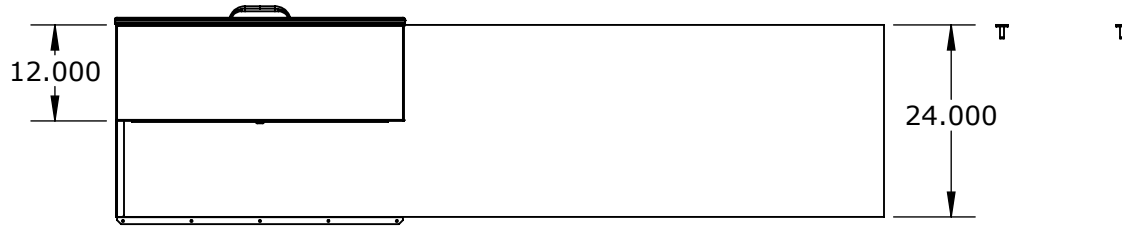
SIZE **A** REV **C4**

SCALE: 1:30 SHEET 2 OF 3

UNIT: IPS

Deburr All Edges

PASSENGER SIDE



PH:(613)530.3419
FAX:(613)546.5489

DESCRIPTION
DEMO TRUCK

PART NO.
2721-A00

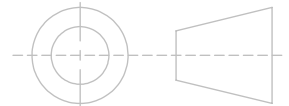
	NAME	DATE
DRAWN	VS	1/20/2017
CHECKED		
NOT RELEASED		

PROPERTIES

MATERIAL: N/A
THICKNESS: N/A
FINISH: NONE
WEIGHT: 999.66 LB

TOLERANCES UNLESS OTHERWISE SPECIFIED:

X.X ± 0.025
X.XX ± 0.010
X.XXX ± 0.005



DO NOT SCALE DRAWING

PROPRIETARY AND CONFIDENTIAL
THE INFORMATION CONTAINED IN THIS DRAWING IS THE SOLE PROPERTY OF EZSTAK LLC. ANY REPRODUCTION IN PART OR AS A WHOLE WITHOUT THE WRITTEN PERMISSION OF EZSTAK LLC IS PROHIBITED.

SIZE **A** REV **C4**

SCALE: 1:24 SHEET 3 OF 3

UNIT: IPS

Deburr All Edges