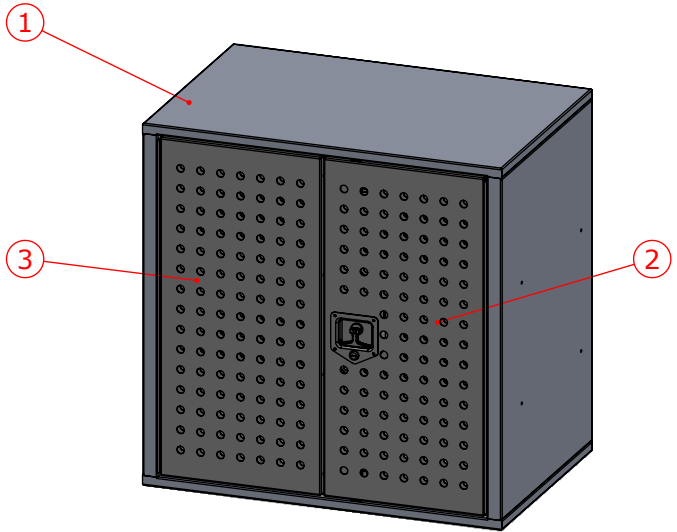


21311763



PH:(613)530.3419
FAX:(613)546.5489

- ALUMINUM CONSTRUCTION
- SOLID MASTER/SLAVE DOORS WITH PERFORATIONS
- LOCKING T-HANDLE
- 2 FIXED SHELVES EVENLY SPACED
- 3X DIVIDERS
- RUBBER MATTING



DESCRIPTION
CLOSET ASSEMBLY

PART NO.
CL-363624-003

	NAME	DATE
DRAWN	VS	02/03/17
CHECKED	TT	Feb 03, 2017

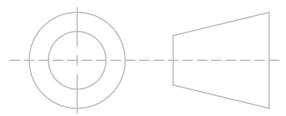
RELEASED TO PRODUCTION

PROPERTIES

MATERIAL:	N/A
THICKNESS:	N/A
FINISH	NONE
WEIGHT:	100.429 LB

TOLERANCES UNLESS OTHERWISE SPECIFIED:

X.X	± 0.025
X.XX	± 0.010
X.XXX	± 0.005



DO NOT SCALE DRAWING

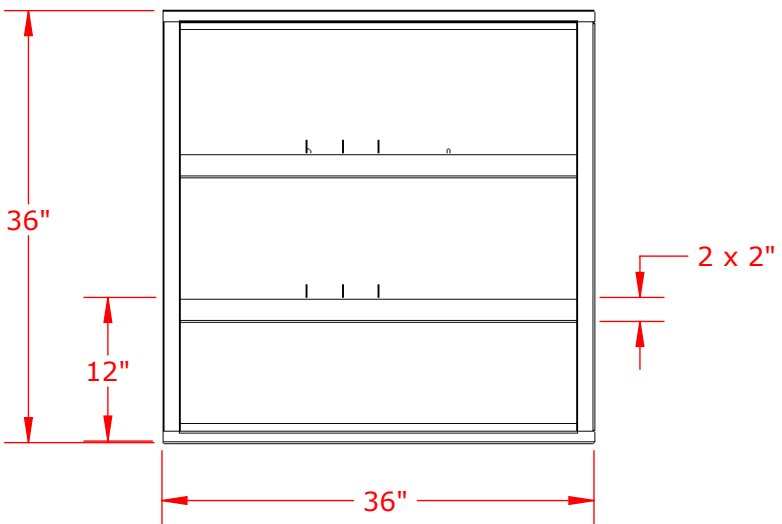
PROPRIETARY AND CONFIDENTIAL
THE INFORMATION CONTAINED IN THIS DRAWING IS THE SOLE PROPERTY OF EZSTAK LLC. ANY REPRODUCTION IN PART OR AS A WHOLE WITHOUT THE WRITTEN PERMISSION OF EZSTAK LLC IS PROHIBITED.

SIZE REV
A -

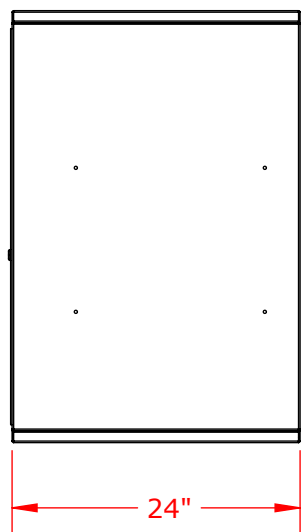
SCALE: 1:16 SHEET 1 OF 1

UNIT: IPS

Deburr All Edges



DOORS HIDDEN TO SHOW INTERIOR



ITEM NO.	PART NUMBER	DESCRIPTION	QTY.	Revision
1	1022563	CABINET ASSEMBLY	1	-
2	1022559	RIGHT DOOR ASSEMBLY	1	-
3	1022556	LEFT DOOR ASSEMBLY	1	-