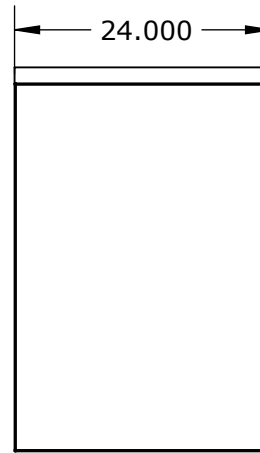
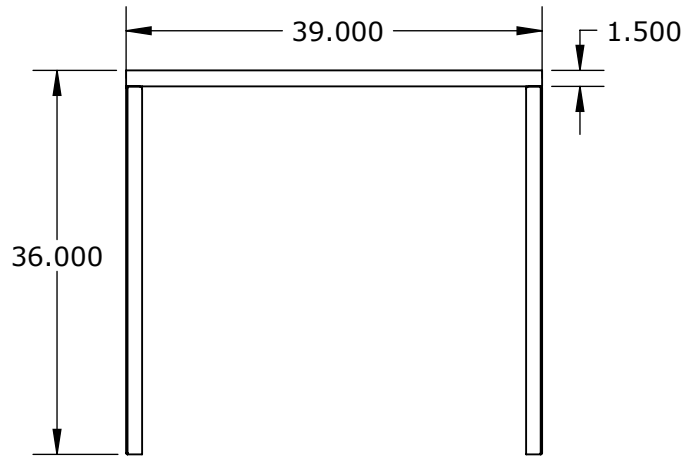
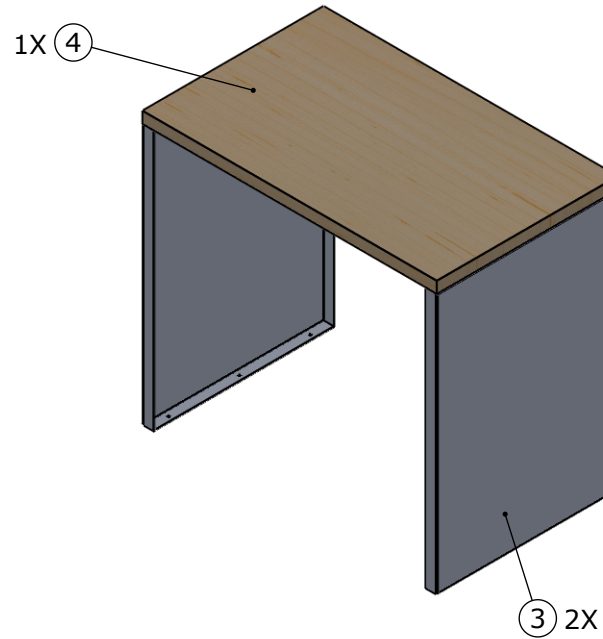


- ALUMINUM CONSTRUCTION
- HARDWOOD TOP
- 2 END PANELS



PH:(613)530.3419
FAX:(613)546.5489

DESCRIPTION
COUNTER TOP ASSEM

PART NO.
CT-363924-002

	NAME	DATE
DRAWN	VS	Apr 27, 2017
CHECKED	JB	Apr 28, 2017

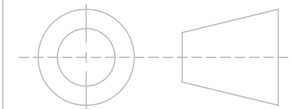
RELEASED TO PRODUCTION

PROPERTIES

MATERIAL: N/A
THICKNESS: N/A
FINISH: NONE
WEIGHT: 44.233 LB

TOLERANCES UNLESS OTHERWISE SPECIFIED:

X.X ± 0.025
X.XX ± 0.010
X.XXX ± 0.005



DO NOT SCALE DRAWING

PROPRIETARY AND CONFIDENTIAL

THE INFORMATION CONTAINED IN THIS DRAWING IS THE SOLE PROPERTY OF EZSTAK LLC. ANY REPRODUCTION IN PART OR AS A WHOLE WITHOUT THE WRITTEN PERMISSION OF EZSTAK LLC IS PROHIBITED.

SIZE REV
A -

SCALE: 1:18 SHEET 1 OF 1

UNIT: IPS

Deburr All Edges

ITEM NO.	PART NUMBER	DESCRIPTION	QTY.	Revision
1	1089537	SCREW - 0.25" x 1.25"L ZINC-PLATED	6	-
2	1089578	WASHER - 0.25" (0.3125"ID - 0.75" OD)	6	-
3	1101200	LEFT/RIGHT PANEL	2	-
4	1018500	WOOD - BUTCHER BLOCK	1	07