

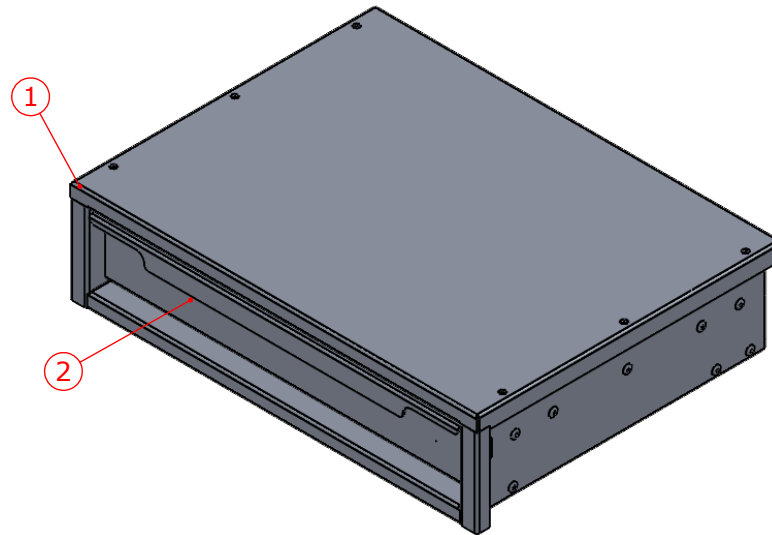
**NOTES:**

- ALUMINUM CONSTRUCTION
- 200LB. CAPACITY SLIDE
- 2 DIVIDERS PER DRAWER (OPTIONAL)

**21311945**



PH:(613)530.3419  
FAX:(613)546.5489



**DESCRIPTION**

**DRAWER UNIT ASSEMBLY**

PART NO.

**DU-062418-001**

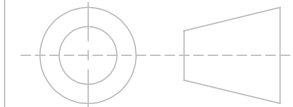
	NAME	DATE
DRAWN	VS	01/26/18
CHECKED	-	-
<b>NOT RELEASED</b>		

**PROPERTIES**

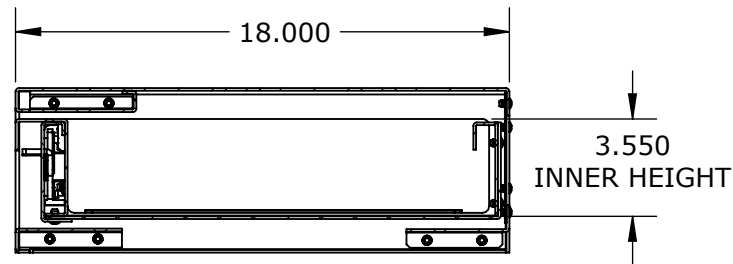
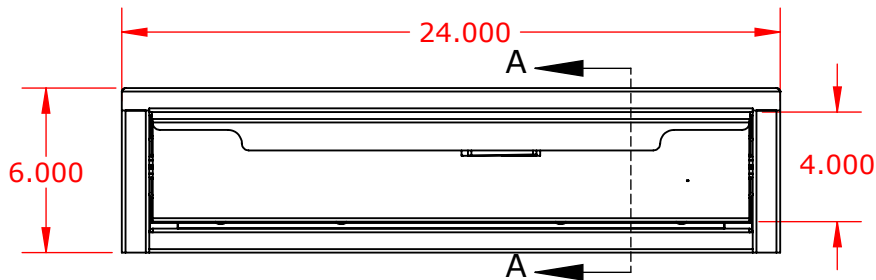
MATERIAL: N/A  
THICKNESS: N/A  
FINISH: NONE  
WEIGHT: 26.556 LB

TOLERANCES UNLESS OTHERWISE SPECIFIED:

X.X ± 0.025  
X.XX ± 0.010  
X.XXX ± 0.005



DO NOT SCALE DRAWING



**SECTION A-A**

**PROPRIETARY AND CONFIDENTIAL**

THE INFORMATION CONTAINED IN THIS DRAWING IS THE SOLE PROPERTY OF EZSTAK LLC. ANY REPRODUCTION IN PART OR AS A WHOLE WITHOUT THE WRITTEN PERMISSION OF EZSTAK LLC IS PROHIBITED.

SIZE **A** REV **C2**

SCALE: 1:7 SHEET 1 OF 1

UNIT: IPS

**Deburr All Edges**

ITEM NO.	PART NUMBER	DESCRIPTION	QTY.	Revision
1	1162911	CABINET ASSEMBLY	1	01
2	1162919	DRAWER ASSEMBLY -4"H	1	-