

**NOTES:**

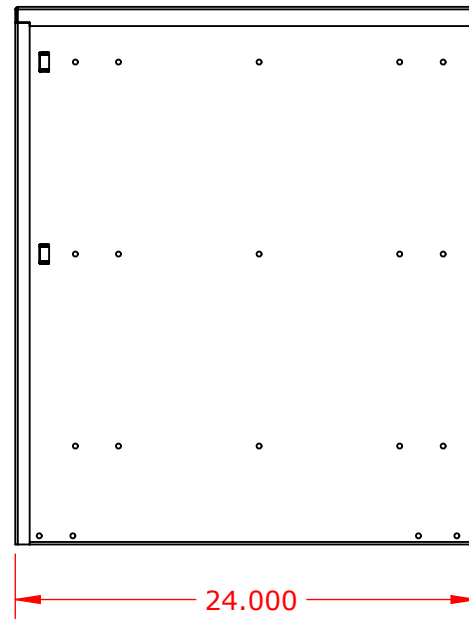
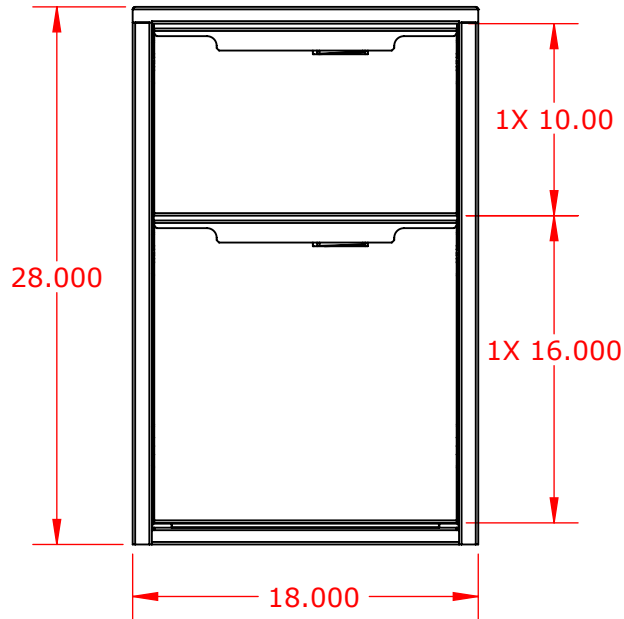
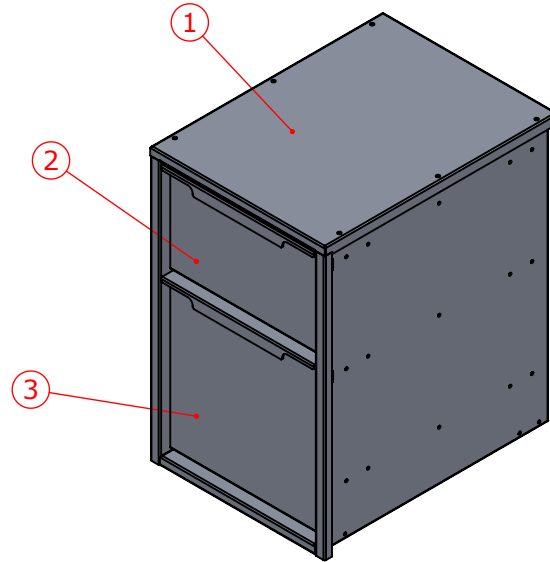
- ALUMINUM CONSTRUCTION

**10" DRAWER:**

- 2X DIVIDERS
- 1X PAIR OF 200 LB SLIDES

**16" DRAWER:**

- 2X DIVIDERS
- 2X PAIR OF 200 LB SLIDES



PH:(613)530.3419  
FAX:(613)546.5489

**DESCRIPTION**  
**DRAWER UNIT ASSEMBLY**

**PART NO.**  
**DU-281824-002**

	NAME	DATE
DRAWN	VS	Jan 26, 2017
CHECKED	TT	Jan 30, 2017

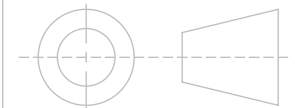
**RELEASED TO PRODUCTION**

**PROPERTIES**

MATERIAL: N/A  
THICKNESS: N/A  
FINISH: NONE  
WEIGHT: 88.378 LB

TOLERANCES UNLESS OTHERWISE SPECIFIED:

X.X ± 0.025  
X.XX ± 0.010  
X.XXX ± 0.005



DO NOT SCALE DRAWING

**PROPRIETARY AND CONFIDENTIAL**

THE INFORMATION CONTAINED IN THIS DRAWING IS THE SOLE PROPERTY OF EZSTAK LLC. ANY REPRODUCTION IN PART OR AS A WHOLE WITHOUT THE WRITTEN PERMISSION OF EZSTAK LLC IS PROHIBITED.

SIZE **A** REV -

SCALE: 1:10 SHEET 1 OF 1

UNIT: IPS

**Deburr All Edges**

ITEM NO.	PART NUMBER	DESCRIPTION	QTY.	Revision
1	1081612	CABINET ASSEMBLY	1	-
2	1081605	DRAWER ASSEMBLY - 10"H	1	-
3	1081620	DRAWER ASSEMBLY - 16"H	1	-