

21311881

- ALUMINUM CONSTRUCTION
- 200LB. CAPACITY SLIDE
- 4X DIVIDERS PER DRAWER



PH:(613)530.3419
FAX:(613)546.5489

DESCRIPTION
DRAWER UNIT
ASSEMBLY

PART NO.
DU-361824-001

	NAME	DATE
DRAWN	VS	Feb 03, 2017
CHECKED	TT	Feb 03, 2017

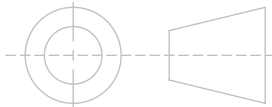
RELEASED TO PRODUCTION

PROPERTIES

MATERIAL: N/A
THICKNESS: N/A
FINISH: NONE
WEIGHT: 161.541 LB

TOLERANCES UNLESS OTHERWISE SPECIFIED:

X.X ± 0.025
X.XX ± 0.010
X.XXX ± 0.005



DO NOT SCALE DRAWING

PROPRIETARY AND CONFIDENTIAL

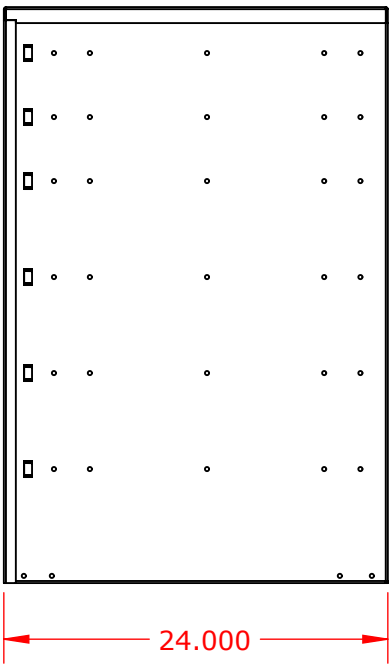
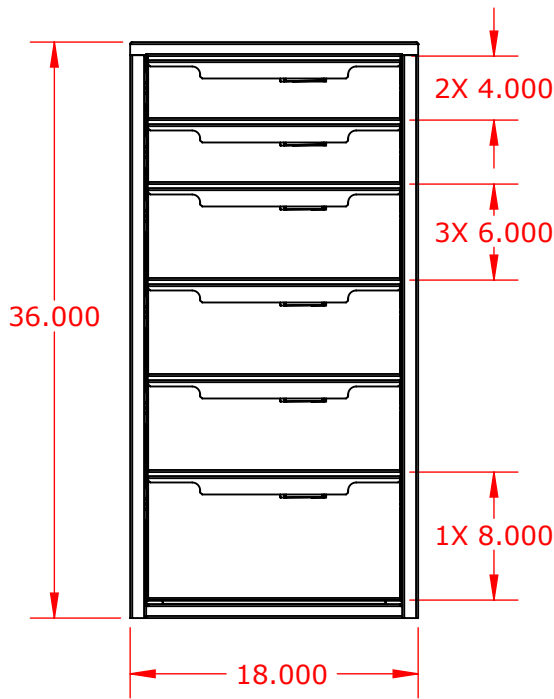
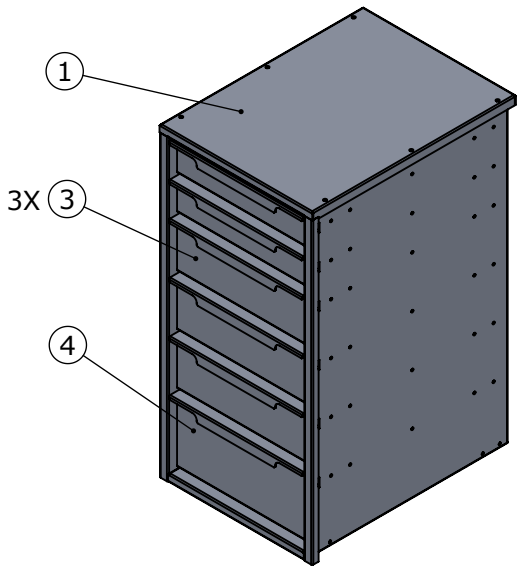
THE INFORMATION CONTAINED IN THIS DRAWING IS THE SOLE PROPERTY OF EZSTAK LLC. ANY REPRODUCTION IN PART OR AS A WHOLE WITHOUT THE WRITTEN PERMISSION OF EZSTAK LLC IS PROHIBITED.

SIZE **A** REV **01**

SCALE: 1:12 SHEET 1 OF 1

UNIT: IPS

Deburr All Edges



ITEM NO.	PART NUMBER	DESCRIPTION	QTY.	Revision
1	1021559	CABINET ASSEMBLY	1	-
2	1021552	DRAWER ASSEMBLY - 4"H	2	-
3	1021567	DRAWER ASSEMBLY - 6"H	3	-
4	1021573	DRAWER ASSEMBLY - 8"H	1	-