

21314539

NOTES:

- ALUMINUM CONSTRUCTION
- 200LB. CAPACITY SLIDE
- 2X DIVIDERS PER DRAWER (OPTIONAL)
- RUBBER MATTING PER DRAWER (OPTIONAL)
- FRONT BRACE EXTRA 2" TALL



PH:(613)530.3419
FAX:(613)546.5489

DESCRIPTION

DRAWER UNIT ASSEMBLY

PART NO.

DU-361824-002

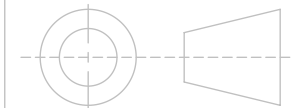
	NAME	DATE
DRAWN	DDR	Mar 09, 2018
CHECKED	JB	Mar 09, 2018
RELEASED TO PRODUCTION		

PROPERTIES

MATERIAL: N/A
THICKNESS: N/A
FINISH: NONE
WEIGHT: 149.066 LB

TOLERANCES UNLESS OTHERWISE SPECIFIED:

X.X ± 0.025
X.XX ± 0.010
X.XXX ± 0.005



DO NOT SCALE DRAWING

PROPRIETARY AND CONFIDENTIAL

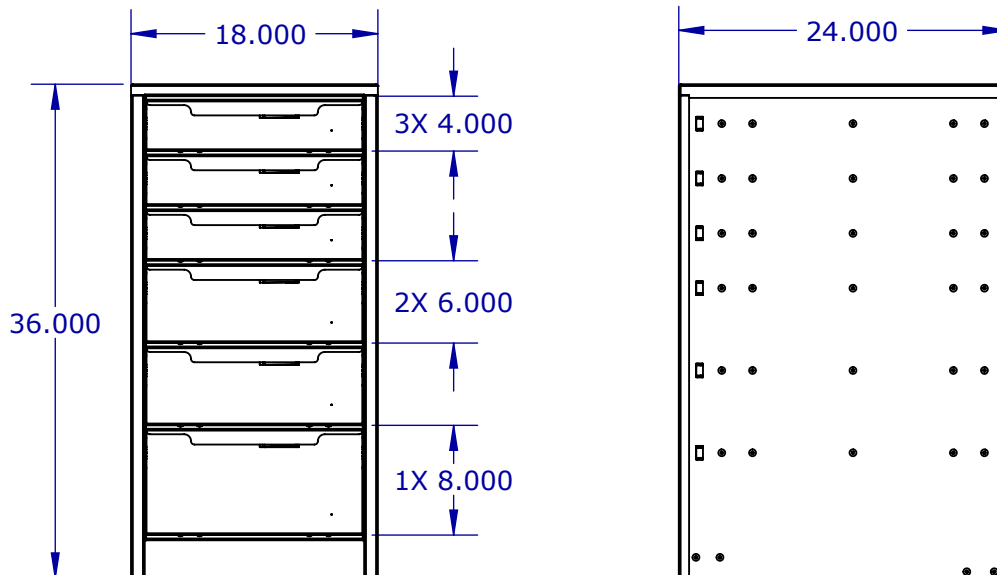
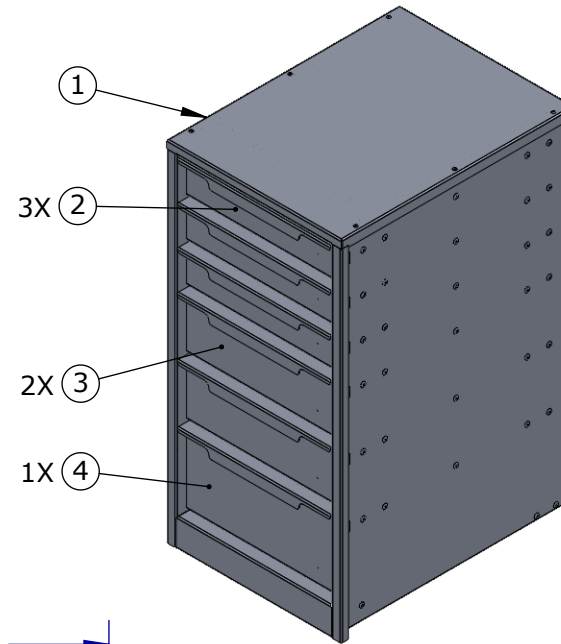
THE INFORMATION CONTAINED IN THIS DRAWING IS THE SOLE PROPERTY OF EZSTAK LLC. ANY REPRODUCTION IN PART OR AS A WHOLE WITHOUT THE WRITTEN PERMISSION OF EZSTAK LLC IS PROHIBITED.

SIZE **A** REV **01**

SCALE: 1:14 SHEET 1 OF 1

UNIT: IPS

Deburr All Edges



ITEM NO.	PART NUMBER	DESCRIPTION	QTY.	Revision
1	1102998	CABINET ASSEMBLY	1	-
2	1103006	DRAWER ASSEMBLY -4"H	3	01
3	1103013	DRAWER ASSEMBLY -6"H	2	01
4	1103020	DRAWER ASSEMBLY - 8"H	1	01