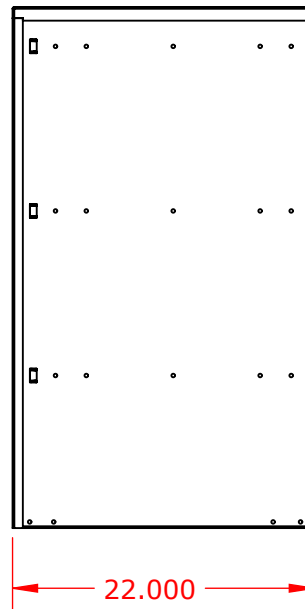
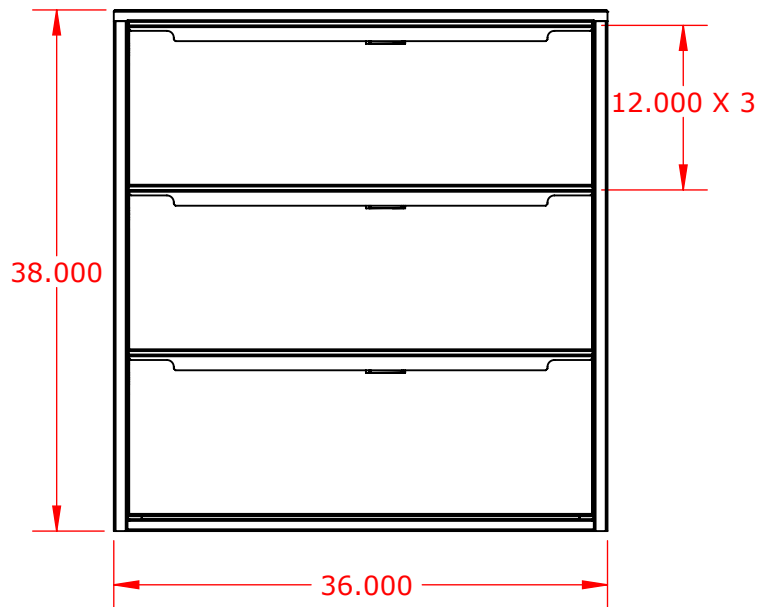
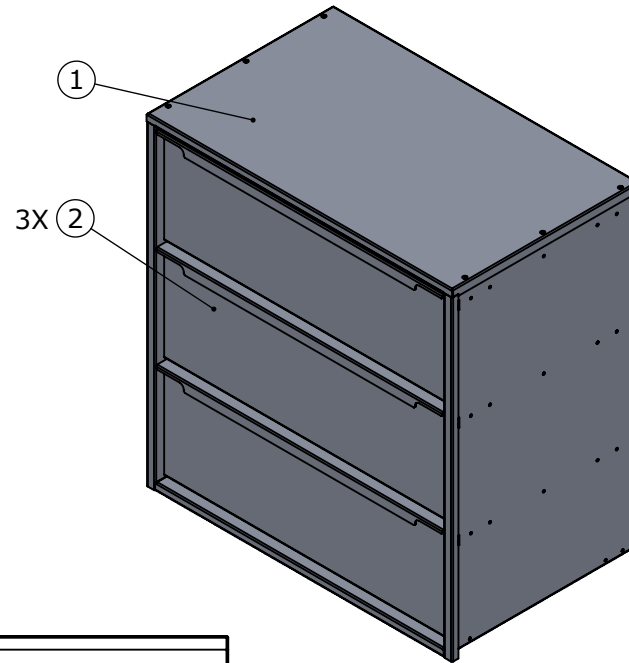


- ALUMINUM CONSTRUCTION
- 200LB. CAPACITY SLIDE, 1.5" OVER-EXTENSION



PH:(613)530.3419
FAX:(613)546.5489

DESCRIPTION
**DRAWER UNIT
ASSEMBLY**

PART NO.
DU-383622-001

	NAME	DATE
DRAWN	GG	Jun 14, 2016
CHECKED	TT	Jun 15, 2016

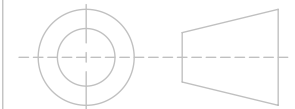
RELEASED TO PRODUCTION

PROPERTIES

MATERIAL: N/A
THICKNESS: N/A
FINISH: NONE
WEIGHT: 161.711 LB

TOLERANCES UNLESS OTHERWISE SPECIFIED:

X.X ± 0.025
X.XX ± 0.010
X.XXX ± 0.005



DO NOT SCALE DRAWING

PROPRIETARY AND CONFIDENTIAL

THE INFORMATION CONTAINED IN THIS DRAWING IS THE SOLE PROPERTY OF EZSTAK LLC. ANY REPRODUCTION IN PART OR AS A WHOLE WITHOUT THE WRITTEN PERMISSION OF EZSTAK LLC IS PROHIBITED.

SIZE REV
A -

SCALE: 1:14 SHEET 1 OF 1

UNIT: IPS

Deburr All Edges

ITEM NO.	PART NUMBER	DESCRIPTION	QTY.	Revision
1	1021756	CABINET ASSEMBLY	1	-
2	1021784	DRAWER ASSEMBLY - 12"H	3	-