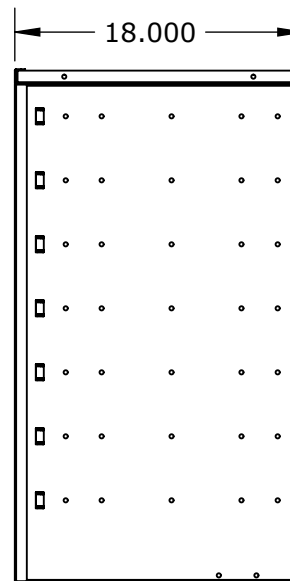
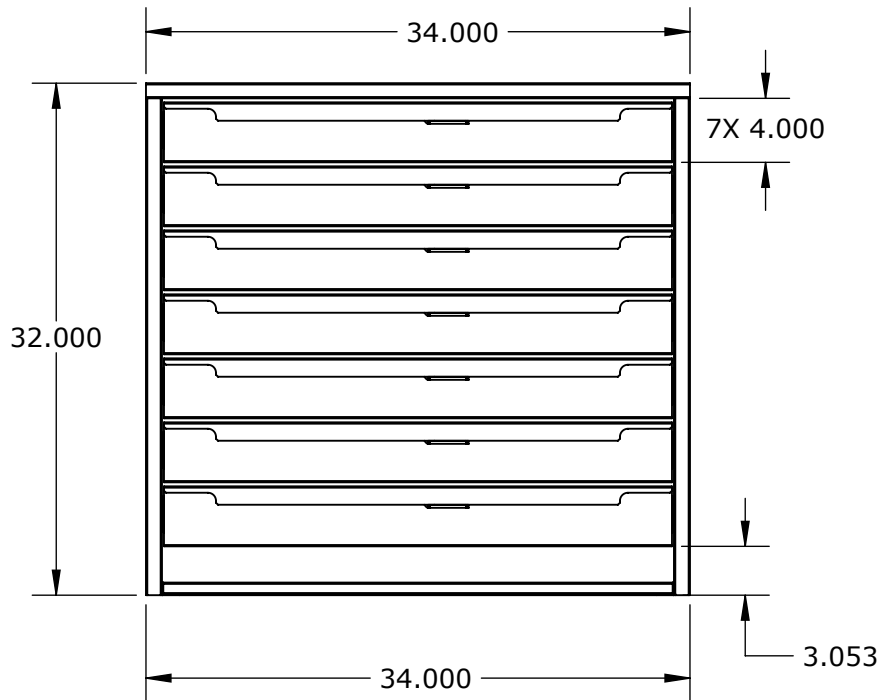
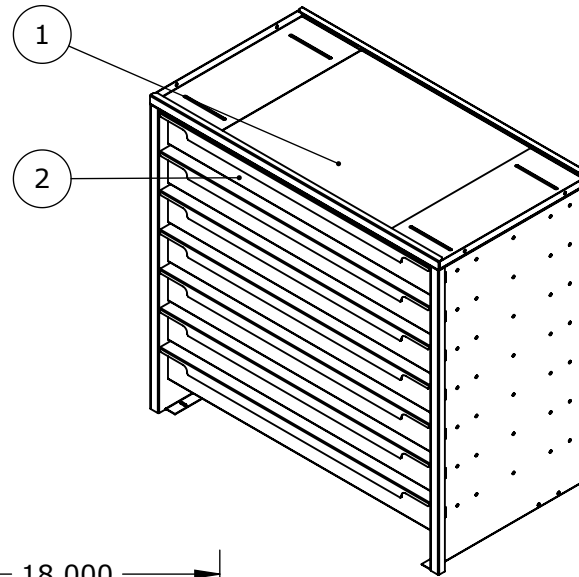


- GALVANIZED CONSTRUCTION
- ADJUSTABLE TOP
- 200LB DRAWER SLIDES
- BUILT IN 2" INSTALL FEET



PH:(613)530.3419
FAX:(613)546.5489

DESCRIPTION
SERVICE BODY DRAWER
(G)

PART NO.
ECO-SD-32-34-18-
006(G)

	NAME	DATE
DRAWN	TT	Sep 27, 2016
CHECKED	GG	Sep 27, 2016

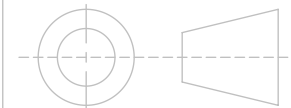
RELEASED TO PRODUCTION

PROPERTIES

MATERIAL: N/A
THICKNESS: N/A
FINISH: NONE
WEIGHT: 243.504 LB

TOLERANCES UNLESS OTHERWISE SPECIFIED:

X.X ± 0.025
X.XX ± 0.010
X.XXX ± 0.005



DO NOT SCALE DRAWING

PROPRIETARY AND CONFIDENTIAL

THE INFORMATION CONTAINED IN THIS DRAWING IS THE SOLE PROPERTY OF EZSTAK LLC. ANY REPRODUCTION IN PART OR AS A WHOLE WITHOUT THE WRITTEN PERMISSION OF EZSTAK LLC IS PROHIBITED.

SIZE **A** REV -

SCALE: 1:12 SHEET 1 OF 1

UNIT: IPS

Deburr All Edges

ITEM NO.	PART NUMBER	DESCRIPTION	Default/QTY.	Revision
1	1052853	Service Drawer Cabinet	1	-
2	1052860	Drawer Assem-4"	7	-