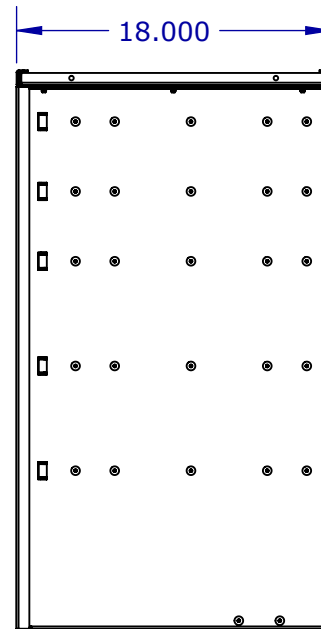
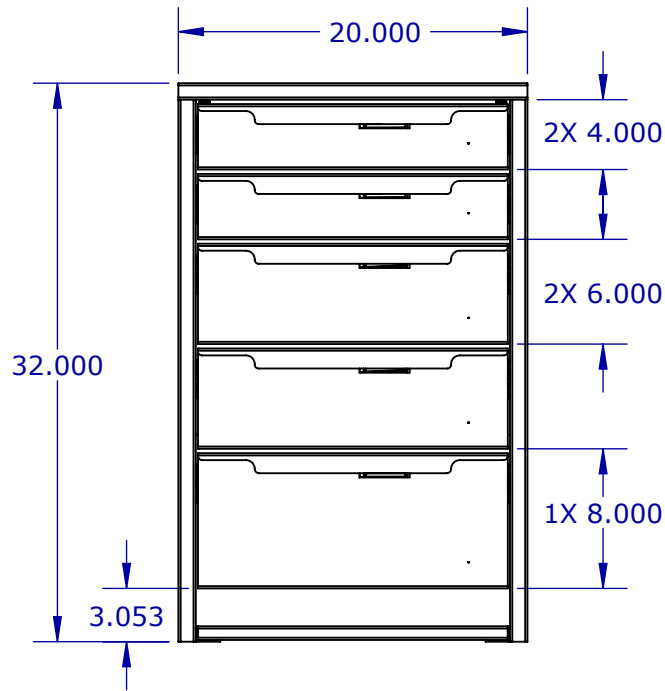
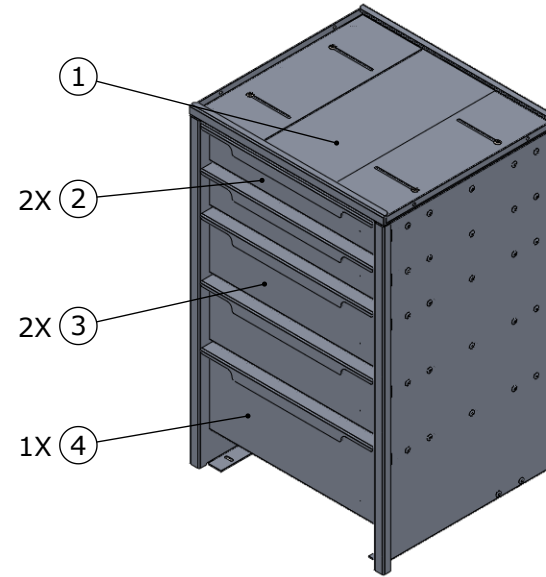


**ECO SERVICE DRAWER**

- ADJUSTABLE TOP
- 200LB DRAWER SLIDES
- BUILT IN 2" INSTALL FEET
- 2X DIVIDERS (OPTIONAL)



ITEM NO.	PART NUMBER	DESCRIPTION	Default/QTY.	Revision
1	1093362	Service Drawer Cabinet	1	01
2	1093369	DRAWER ASSEMBLY - 4"H	2	02
3	1093382	DRAWER ASSEMBLY - 6"H	2	02
4	1094649	DRAWER ASSEMBLY - 8"H	1	01



PH:(613)530.3419  
FAX:(613)546.5489

**DESCRIPTION**  
**ECO SERVICE DRAWER UNIT**

**PART NO.**  
**ECO-SD-322018-001**

	NAME	DATE
DRAWN	VS	Nov 21, 2017
CHECKED	JB	Nov 21, 2017

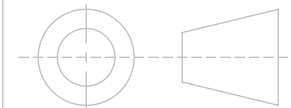
**RELEASED TO PRODUCTION**

**PROPERTIES**

MATERIAL: GALVANIZED STEEL  
THICKNESS: 0.516  
FINISH: NONE  
WEIGHT: 108.387 LB

TOLERANCES UNLESS OTHERWISE SPECIFIED:

X.X ± 0.025  
X.XX ± 0.010  
X.XXX ± 0.005



DO NOT SCALE DRAWING

**PROPRIETARY AND CONFIDENTIAL**

THE INFORMATION CONTAINED IN THIS DRAWING IS THE SOLE PROPERTY OF EZSTAK LLC. ANY REPRODUCTION IN PART OR AS A WHOLE WITHOUT THE WRITTEN PERMISSION OF EZSTAK LLC IS PROHIBITED.

SIZE **A** REV **01**

SCALE: 1:11 SHEET 1 OF 1

UNIT: IPS

**Deburr All Edges**