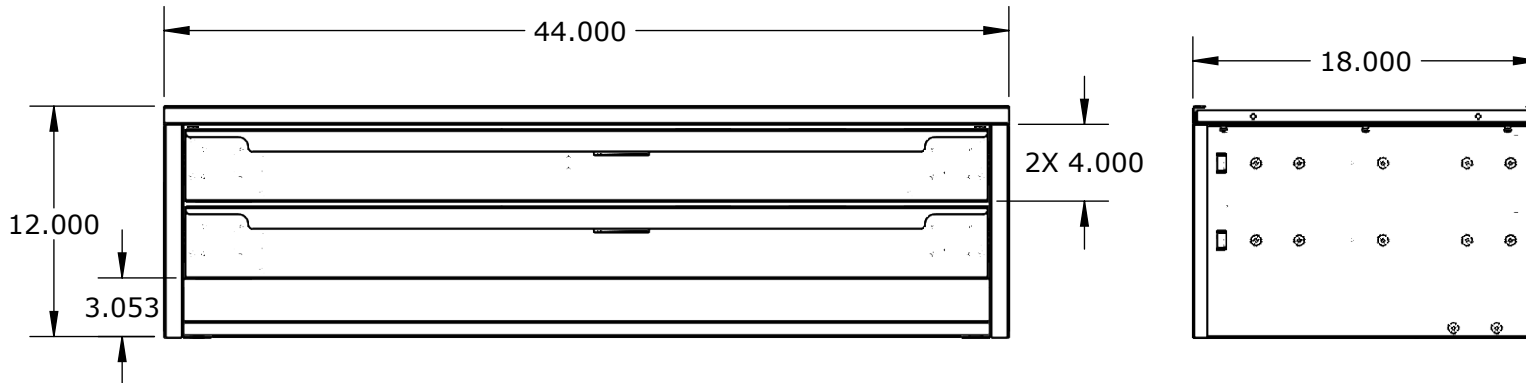
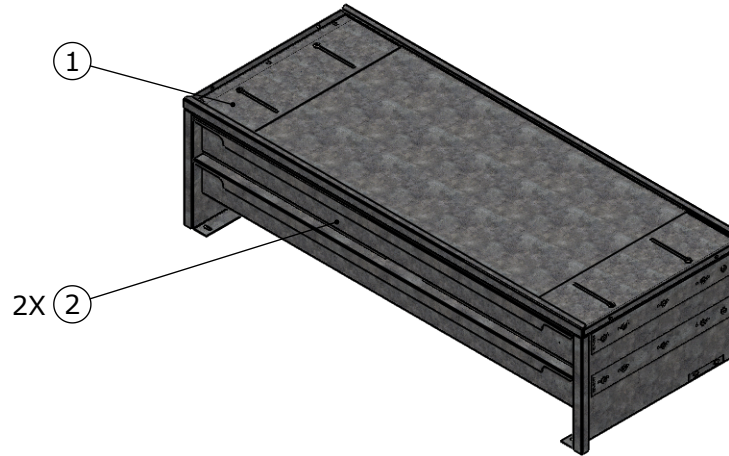


NOTES:

- GALVANIZED CONSTRUCTION
- ADJUSTABLE TOP
- 200LBS SLIDES
- BUILT IN 2" INSTALL FEET
- 4X DIVIDERS PER DRAWER (OPTIONAL)



ITEM NO.	PART NUMBER	DESCRIPTION	QTY.	Revision
1	1111793	CABINET ASSEMBLY	1	01
2	1207172	DRAWER ASSEMBLY - 4"H	2	-



PH:(613)530.3419
FAX:(613)546.5489

DESCRIPTION

**ECO SERVICE BODY
DRAWER ASSEMBLY**

PART NO.

ECO-SD (G)-124418-002

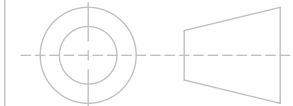
	NAME	DATE
DRAWN	RK	05/23/18
CHECKED	VS	May 25, 2018
RELEASED TO PRODUCTION		

PROPERTIES

MATERIAL: N/A
THICKNESS: N/A
FINISH: NONE
WEIGHT: 94.577 LB

TOLERANCES UNLESS OTHERWISE SPECIFIED:

X.X ± 0.025
X.XX ± 0.010
X.XXX ± 0.005



DO NOT SCALE DRAWING

PROPRIETARY AND CONFIDENTIAL

THE INFORMATION CONTAINED IN THIS DRAWING IS THE SOLE PROPERTY OF EZSTAK LLC. ANY REPRODUCTION IN PART OR AS A WHOLE WITHOUT THE WRITTEN PERMISSION OF EZSTAK LLC IS PROHIBITED.

SIZE **A** REV **01**

SCALE: 1:10 SHEET 1 OF 1

UNIT: IPS

Deburr All Edges