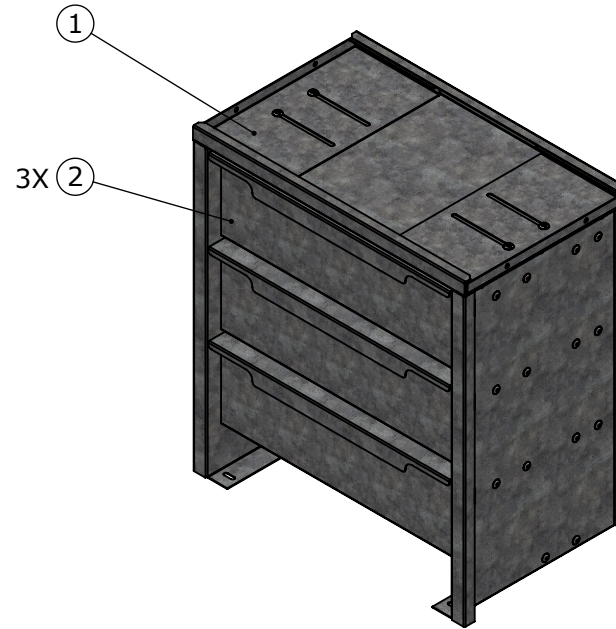


NOTES:

- GALVANIZED CONSTRUCTION
- ADJUSTABLE TOP
- 250LBS SLIDES
- BUILT IN 2" INSTALL FEET
- 2X DIVIDERS PER DRAWER (OPTIONAL)



PH:(613)530.3419
FAX:(613)546.5489

DESCRIPTION
ECO SERVICE BODY
DRAWER ASSEMBLY

PART NO.
ECO-SD (G)-222012-
004

	NAME	DATE
DRAWN	DDR	10/23/17
CHECKED	VS	Oct 24, 2017

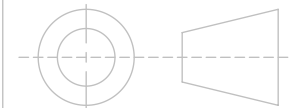
RELEASED TO PRODUCTION

PROPERTIES

MATERIAL: N/A
THICKNESS: N/A
FINISH: NONE
WEIGHT: 70.175 LB

TOLERANCES UNLESS OTHERWISE SPECIFIED:

X.X ± 0.025
X.XX ± 0.010
X.XXX ± 0.005



DO NOT SCALE DRAWING

PROPRIETARY AND CONFIDENTIAL

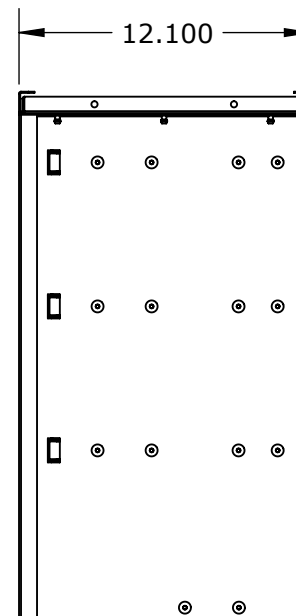
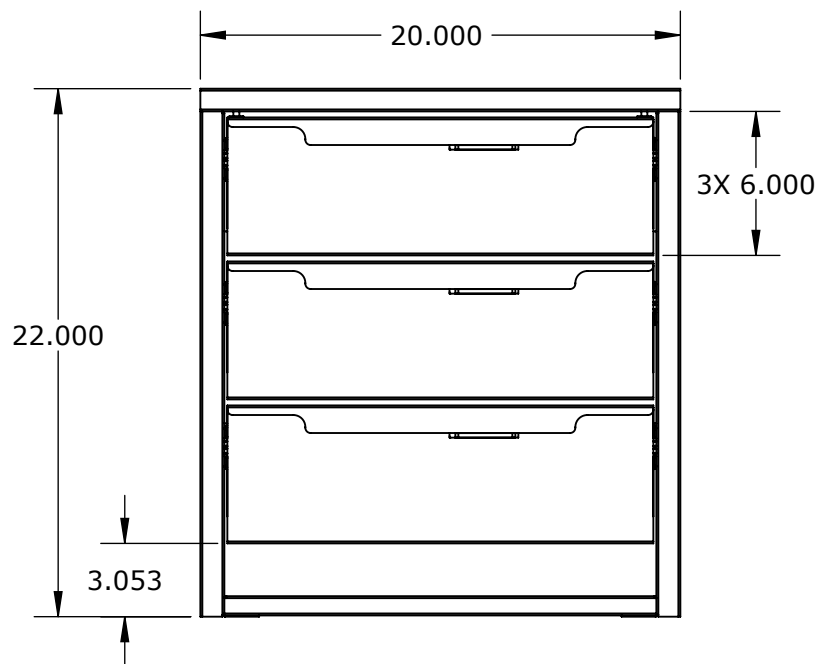
THE INFORMATION CONTAINED IN THIS DRAWING IS THE SOLE PROPERTY OF EZSTAK LLC. ANY REPRODUCTION IN PART OR AS A WHOLE WITHOUT THE WRITTEN PERMISSION OF EZSTAK LLC IS PROHIBITED.

SIZE REV
A -

SCALE: 1:8 SHEET 1 OF 1

UNIT: IPS

Deburr All Edges



ITEM NO.	PART NUMBER	DESCRIPTION	QTY.	Revision
1	1141144	CABINET ASSEMBLY	1	-
2	1141138	DRAWER ASSEMBLY - 6"H	3	-