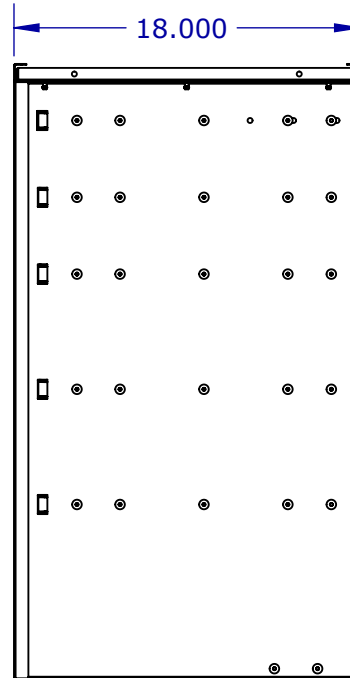
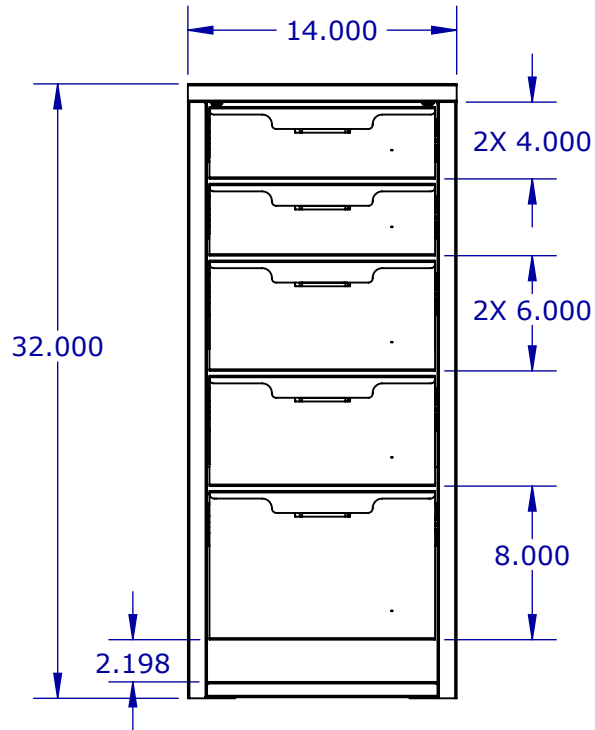
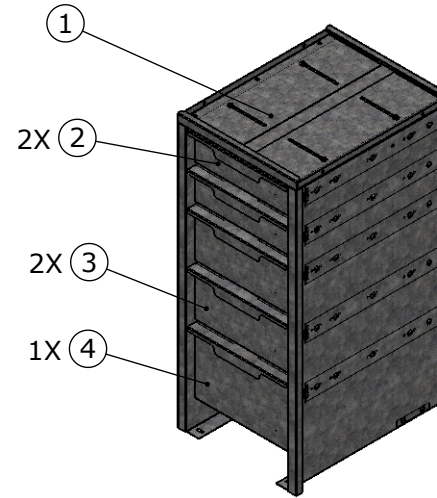


NOTES:

- GALVANIZED CONSTRUCTION
- ADJUSTABLE TOP
- 200LBS SLIDES
- BUILT IN 2" INSTALL FEET
- 1X DIVIDERS PER DRAWER (OPTIONAL)



PH:(613)530.3419
FAX:(613)546.5489

DESCRIPTION
ECO SERVICE BODY
DRAWER ASSEMBLY

PART NO.
ECO-SD (G)-321418-
004

	NAME	DATE
DRAWN	VS	10/26/2017
CHECKED	JB	Oct 31, 2017

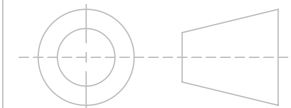
RELEASED TO PRODUCTION

PROPERTIES

MATERIAL: N/A
THICKNESS: N/A
FINISH: NONE
WEIGHT: 111.702 LB

TOLERANCES UNLESS OTHERWISE SPECIFIED:

X.X ± 0.025
X.XX ± 0.010
X.XXX ± 0.005



DO NOT SCALE DRAWING

PROPRIETARY AND CONFIDENTIAL

THE INFORMATION CONTAINED IN THIS DRAWING IS THE SOLE PROPERTY OF EZSTAK LLC. ANY REPRODUCTION IN PART OR AS A WHOLE WITHOUT THE WRITTEN PERMISSION OF EZSTAK LLC IS PROHIBITED.

SIZE REV
A -

SCALE: 1:10 SHEET 1 OF 1

UNIT: IPS

Deburr All Edges

ITEM NO.	PART NUMBER	DESCRIPTION	QTY.	Revision
1	1142018	CABINET ASSEMBLY	1	-
2	1142025	DRAWER ASSEMBLY - 4"H	2	-
3	1142039	DRAWER ASSEMBLY - 6"H	2	-
4	1142031	DRAWER ASSEMBLY - 8"H	1	-