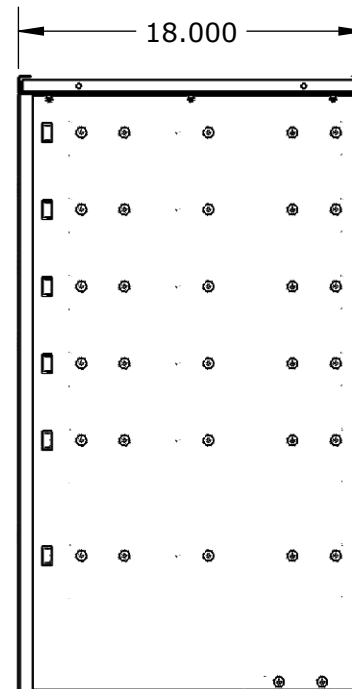
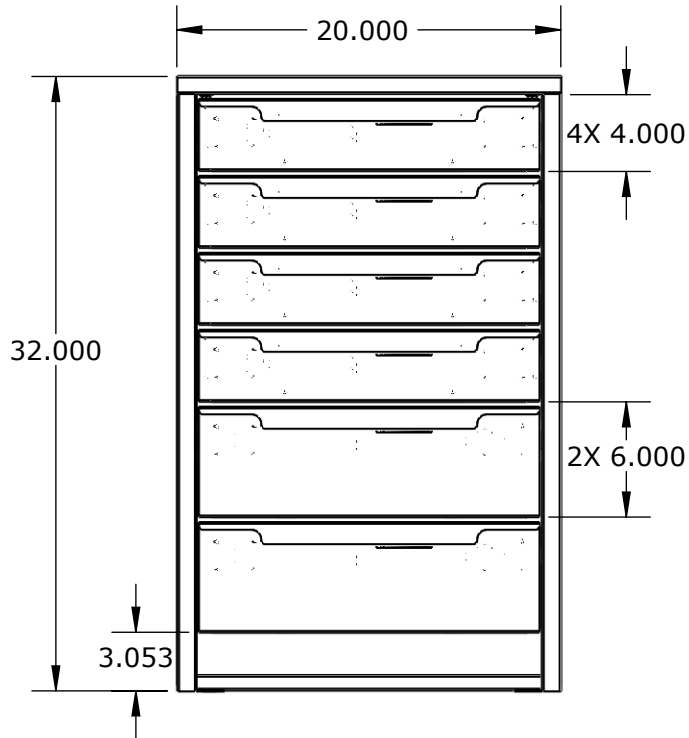
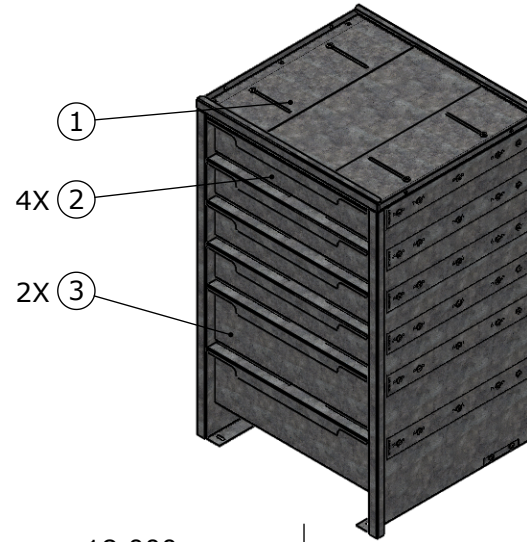


**NOTES:**

- GALVANIZED CONSTRUCTION
- ADJUSTABLE TOP
- 200LBS SLIDES
- BUILT IN 2" INSTALL FEET
- 2X DIVIDERS PER DRAWER (OPTIONAL)



PH:(613)530.3419  
FAX:(613)546.5489

**DESCRIPTION**  
**ECO SERVICE BODY**  
**DRAWER ASSEMBLY**

**PART NO.**  
**ECO-SD (G)-322018-**  
**005**

	NAME	DATE
DRAWN	BK	08/15/2017
CHECKED	JB	Aug 17, 2017

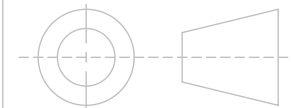
**RELEASED TO PRODUCTION**

**PROPERTIES**

MATERIAL: N/A  
THICKNESS: N/A  
FINISH: NONE  
WEIGHT: 153.087 LB

TOLERANCES UNLESS OTHERWISE SPECIFIED:

X.X ± 0.025  
X.XX ± 0.010  
X.XXX ± 0.005



DO NOT SCALE DRAWING

**PROPRIETARY AND CONFIDENTIAL**

THE INFORMATION CONTAINED IN THIS DRAWING IS THE SOLE PROPERTY OF EZSTAK LLC. ANY REPRODUCTION IN PART OR AS A WHOLE WITHOUT THE WRITTEN PERMISSION OF EZSTAK LLC IS PROHIBITED.

SIZE                      REV  
**A**                              -

SCALE: 1:10      SHEET 1 OF 1

UNIT:      IPS

**Deburr All Edges**

ITEM NO.	PART NUMBER	DESCRIPTION	QTY.	Revision
1	1123416	CABINET ASSEMBLY	1	-
2	1123423	DRAWER ASSEMBLY - 4"H	4	-
3	1123429	DRAWER ASSEMBLY - 6"H	2	-