

NOTES:

- GALVANIZED STEEL CONSTRUCTION
- ADJUSTABLE TOP
- 200LBS SLIDES
- BUILT IN 2" INSTALL FEET
- 2X DIVIDERS PER DRAWER



PH:(613)530.3419
FAX:(613)546.5489

DESCRIPTION

GALVANIZED ECO SERVICE DRAWER

PART NO.

ECO-SD (G)-322618-005

	NAME	DATE
DRAWN	RK	05/25/18
CHECKED	VS	May 25, 2018

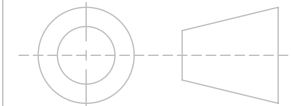
RELEASED TO PRODUCTION

PROPERTIES

MATERIAL: N/A
THICKNESS: N/A
FINISH: NONE
WEIGHT: 171.560 LB

TOLERANCES UNLESS OTHERWISE SPECIFIED:

X.X ± 0.025
X.XX ± 0.010
X.XXX ± 0.005



DO NOT SCALE DRAWING

PROPRIETARY AND CONFIDENTIAL

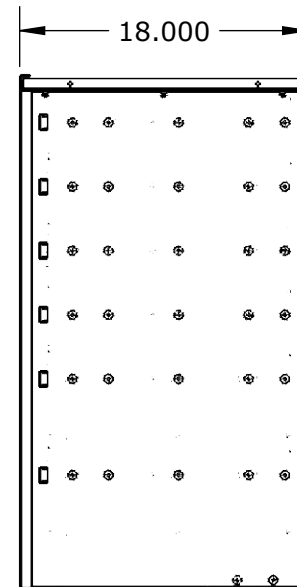
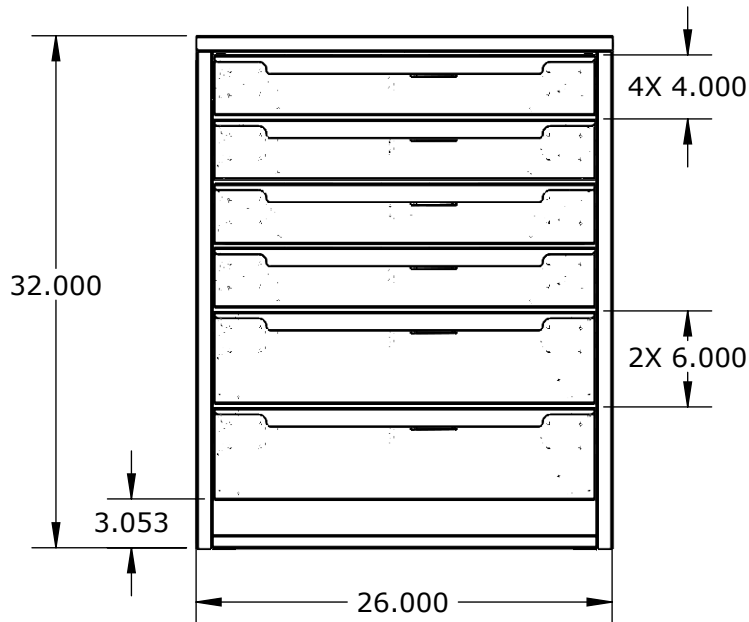
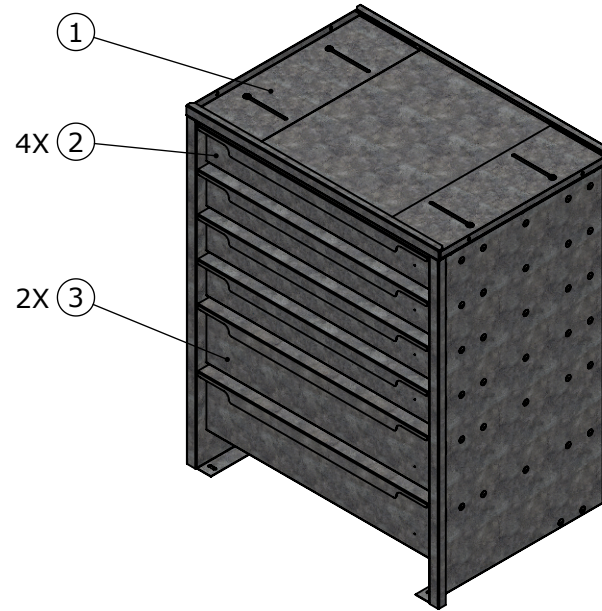
THE INFORMATION CONTAINED IN THIS DRAWING IS THE SOLE PROPERTY OF EZSTAK LLC. ANY REPRODUCTION IN PART OR AS A WHOLE WITHOUT THE WRITTEN PERMISSION OF EZSTAK LLC IS PROHIBITED.

SIZE **A** REV **01**

SCALE: 1:12 SHEET 1 OF 1

UNIT: IPS

Deburr All Edges



ITEM NO.	PART NUMBER	DESCRIPTION	QTY.	Revision
1	1155161	CABINET ASSEMBLY	1	WIP
2	1155168	DRAWER ASSEMBLY - 4"H	4	01
3	1155196	DRAWER ASSEMBLY - 6"H	2	01