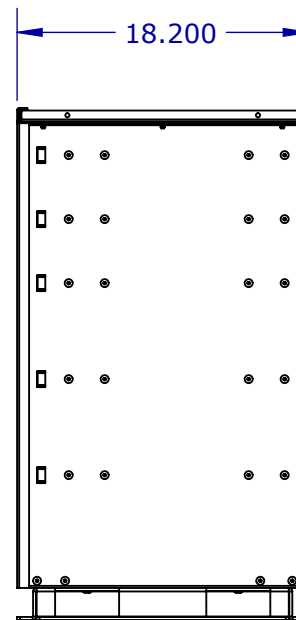
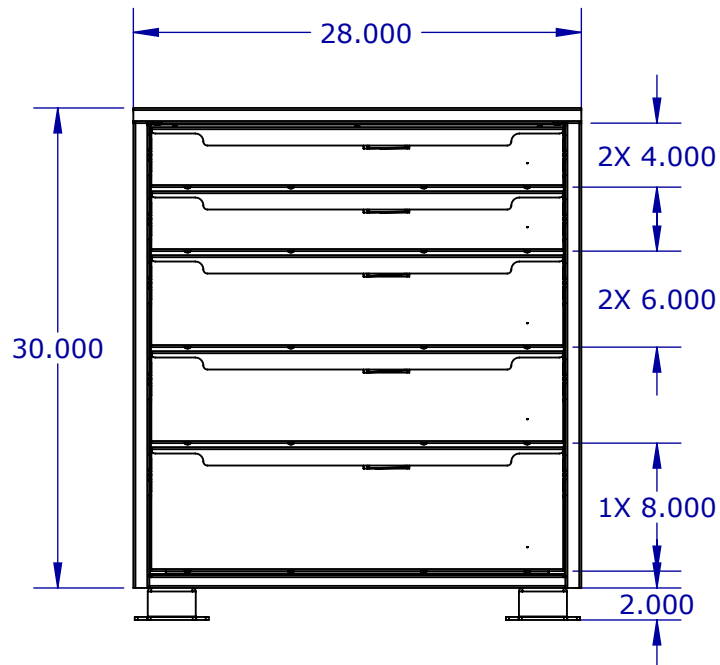
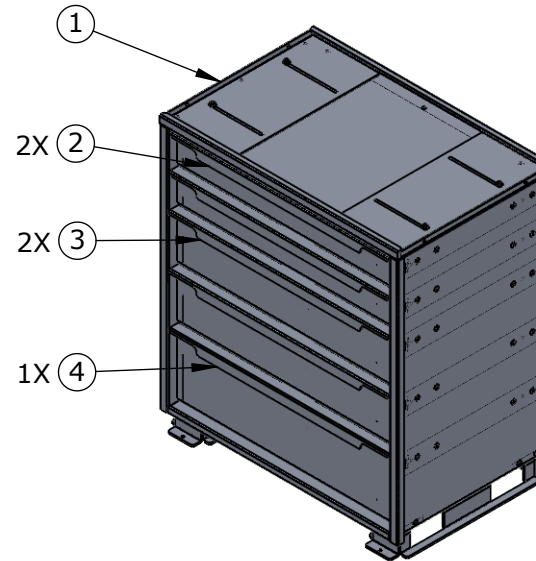


NOTES

- ALUMINUM CONSTRUCTION
- ADJUSTABLE TOP
- 500LB DRAWER SLIDES
- 2X DIVIDERS PER DRAWER (OPTIONAL)
- PLUS 2" INSTALL FEET



PH:(613)530.3419
FAX:(613)546.5489

DESCRIPTION
SERVICE DRAWER UNIT

PART NO.
SD-302818-005

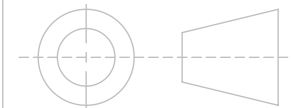
	NAME	DATE
DRAWN	DDR	03/08/2018
CHECKED	JB	Mar 08, 2018
RELEASED TO PRODUCTION		

PROPERTIES

MATERIAL: ALUMINIUM
THICKNESS: N/A
FINISH: NONE
WEIGHT: 128.826 LB

TOLERANCES UNLESS OTHERWISE SPECIFIED:

X.X ± 0.025
X.XX ± 0.010
X.XXX ± 0.005



DO NOT SCALE DRAWING

PROPRIETARY AND CONFIDENTIAL

THE INFORMATION CONTAINED IN THIS DRAWING IS THE SOLE PROPERTY OF EZSTAK LLC. ANY REPRODUCTION IN PART OR AS A WHOLE WITHOUT THE WRITTEN PERMISSION OF EZSTAK LLC IS PROHIBITED.

SIZE: **A** REV: -

SCALE: 1:12 SHEET 1 OF 1

UNIT: IPS

Deburr All Edges

ITEM NO.	PART NUMBER	DESCRIPTION	QTY.	Revision
1	1176744	SERVICE DRAWER CABINET ASSEM	1	-
2	1176753	DRAWER ASSEMBLY - 4"H	2	-
3	1176760	DRAWER ASSEMBLY - 6"H	2	-
4	1176767	DRAWER ASSEMBLY - 8"H	1	-