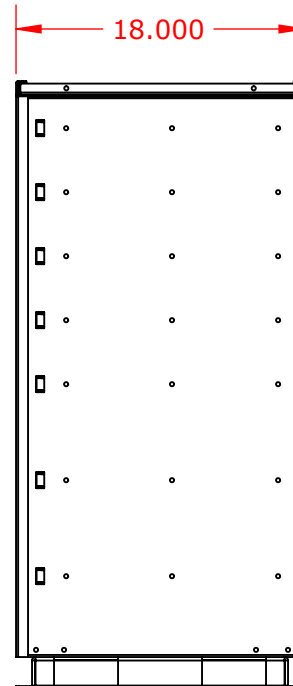
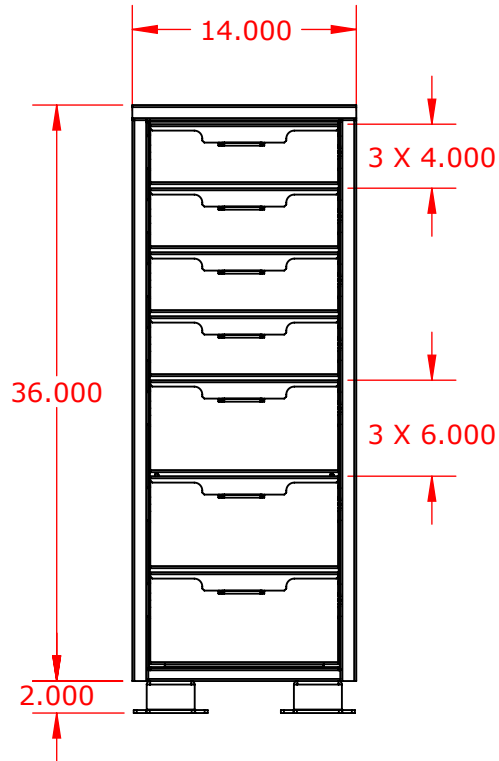
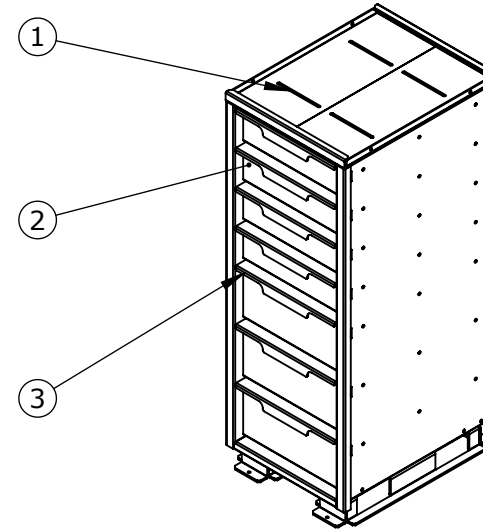


- ALUMINUM CONSTRUCTION
- ADJUSTABLE TOP
- 200LB DRAWER SLIDES
- PLUS 2" INSTALL FEET



PH:(613)530.3419  
FAX:(613)546.5489

**DESCRIPTION**  
**SERVICE DRAWER UNIT**

**PART NO.**  
**SD-361418-001**

	NAME	DATE
DRAWN	GG	07/29/2016
CHECKED	J	Jul 29, 2016

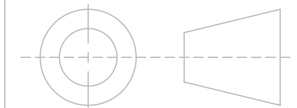
**RELEASED TO PRODUCTION**

**PROPERTIES**

MATERIAL: ALUMINIUM  
THICKNESS: N/A  
FINISH: NONE  
WEIGHT: 114.855 LB

TOLERANCES UNLESS OTHERWISE SPECIFIED:

X.X ± 0.025  
X.XX ± 0.010  
X.XXX ± 0.005



DO NOT SCALE DRAWING

**PROPRIETARY AND CONFIDENTIAL**

THE INFORMATION CONTAINED IN THIS DRAWING IS THE SOLE PROPERTY OF EZSTAK LLC. ANY REPRODUCTION IN PART OR AS A WHOLE WITHOUT THE WRITTEN PERMISSION OF EZSTAK LLC IS PROHIBITED.

SIZE REV  
**A** -

SCALE: 1:12 SHEET 1 OF 1

UNIT: IPS

**Deburr All Edges**

ITEM NO.	PART NUMBER	DESCRIPTION	QTY.	Revision
1	1030469	SERVICE DRAWER CABINET ASSEM	1	-
2	1030486	DRAWER ASSEMBLY - 4"H	4	-
3	1030557	DRAWER ASSEMBLY - 6"H	3	-