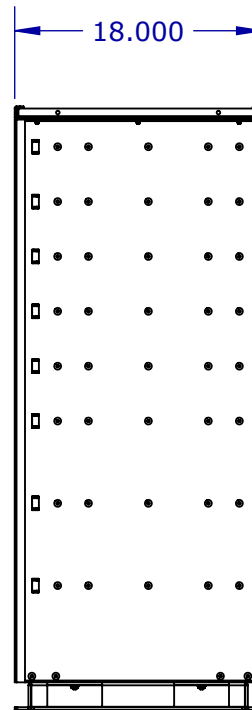
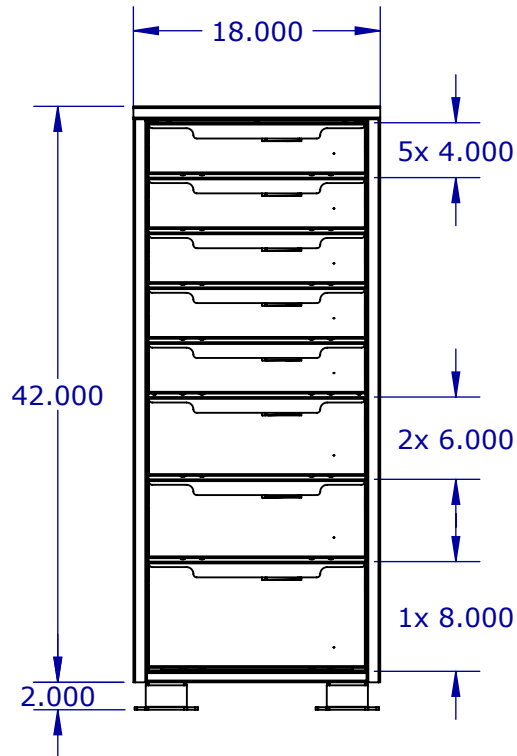
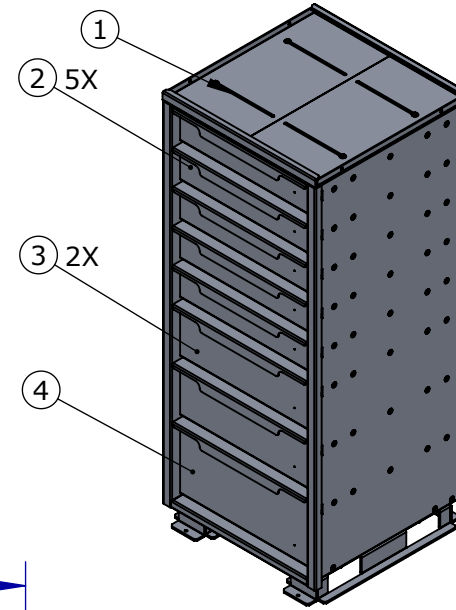


NOTES:

- ALUMINUM CONSTRUCTION
- ADJUSTABLE TOP
- 200LB DRAWER SLIDES
- PLUS 2" INSTALL FEET
- 2X DIVIDERS PER DRAWER (OPTIONAL)



ITEM NO.	PART NUMBER	DESCRIPTION	QTY.	Revision
1	1150139	SERVICE DRAWER CABINET ASSEM	1	-
2	1150148	DRAWER ASSEMBLY - 4"H	5	-
3	1150155	DRAWER ASSEMBLY - 6"H	2	-
4	1150162	DRAWER ASSEMBLY - 8"H	1	-



PH:(613)530.3419
FAX:(613)546.5489

DESCRIPTION
SERVICE DRAWER UNIT

PART NO.
SD-421818-001

	NAME	DATE
DRAWN	VS	12/05/2017
CHECKED	JB	Dec 06, 2017

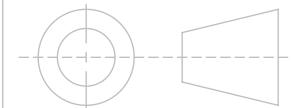
RELEASED TO PRODUCTION

PROPERTIES

MATERIAL: ALUMINIUM
THICKNESS:
FINISH: NONE
WEIGHT: 144.977 LB

TOLERANCES UNLESS OTHERWISE SPECIFIED:

X.X ± 0.025
X.XX ± 0.010
X.XXX ± 0.005



DO NOT SCALE DRAWING

PROPRIETARY AND CONFIDENTIAL

THE INFORMATION CONTAINED IN THIS DRAWING IS THE SOLE PROPERTY OF EZSTAK LLC. ANY REPRODUCTION IN PART OR AS A WHOLE WITHOUT THE WRITTEN PERMISSION OF EZSTAK LLC IS PROHIBITED.

SIZE: **A** REV: -

SCALE: 1:14 SHEET 1 OF 1

UNIT: IPS

Deburr All Edges