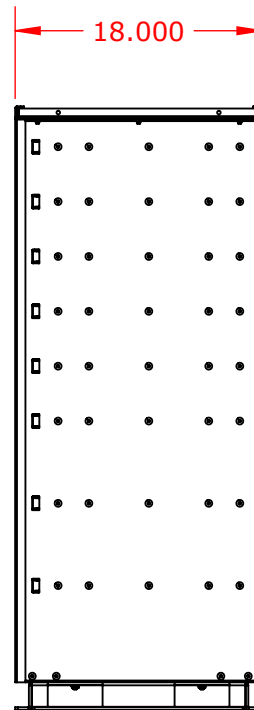
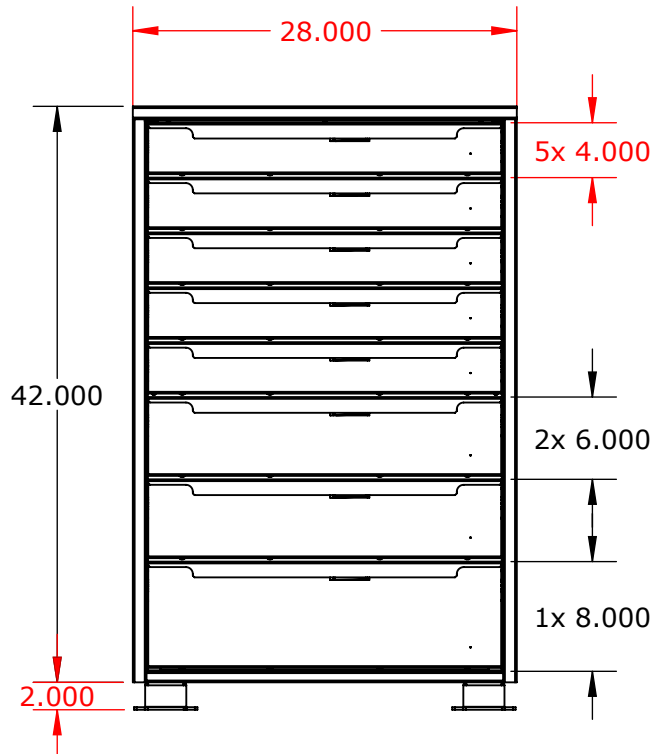
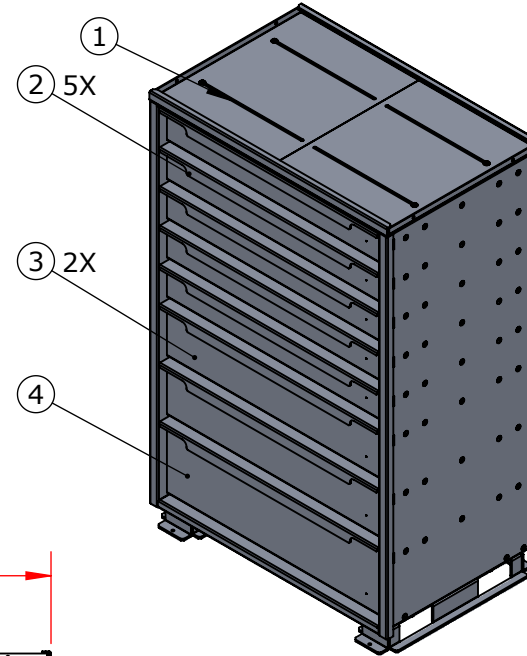


**NOTES:**

- ALUMINUM CONSTRUCTION
- ADJUSTABLE TOP
- 200LB DRAWER SLIDES
- PLUS 2" INSTALL FEET
- 2X DIVIDERS PER DRAWER (OPTIONAL)
- RUBBER MAT PER DRAWER (OPTIONAL)



ITEM NO.	PART NUMBER	DESCRIPTION	QTY.	Revision
1	1146831	SERVICE DRAWER CABINET ASSEM	1	-
2	1146840	DRAWER ASSEMBLY - 4"H	5	-
3	1146847	DRAWER ASSEMBLY - 6"H	2	-
4	1146854	DRAWER ASSEMBLY - 8"H	1	-



PH:(613)530.3419  
FAX:(613)546.5489

**DESCRIPTION**  
**SERVICE DRAWER UNIT**

**PART NO.**  
**SD-422818-001**

	NAME	DATE
DRAWN	DDR	11/15/17
CHECKED	VS	Nov 16, 2017

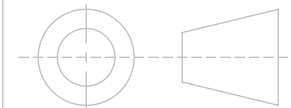
**RELEASED TO PRODUCTION**

**PROPERTIES**

MATERIAL: ALUMINIUM  
THICKNESS:  
FINISH: NONE  
WEIGHT: 196.118 LB

TOLERANCES UNLESS OTHERWISE SPECIFIED:

X.X ± 0.025  
X.XX ± 0.010  
X.XXX ± 0.005



DO NOT SCALE DRAWING

**PROPRIETARY AND CONFIDENTIAL**

THE INFORMATION CONTAINED IN THIS DRAWING IS THE SOLE PROPERTY OF EZSTAK LLC. ANY REPRODUCTION IN PART OR AS A WHOLE WITHOUT THE WRITTEN PERMISSION OF EZSTAK LLC IS PROHIBITED.

SIZE: **A**      REV: -

SCALE: 1:14      SHEET 1 OF 1

UNIT: IPS

**Deburr All Edges**