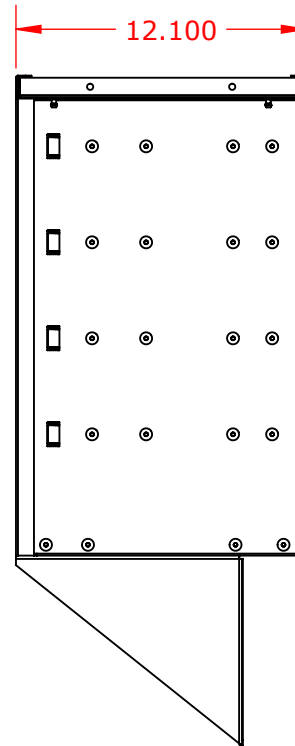
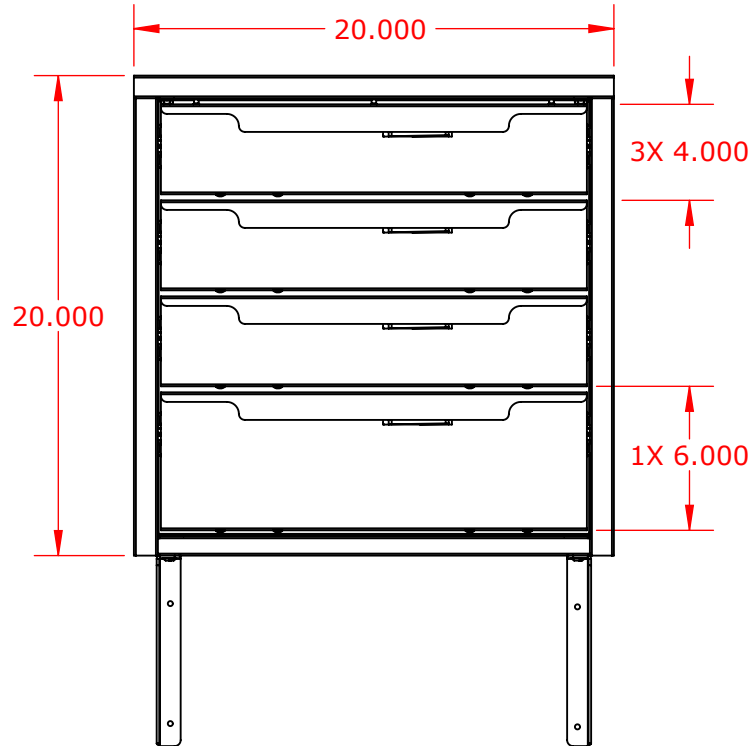
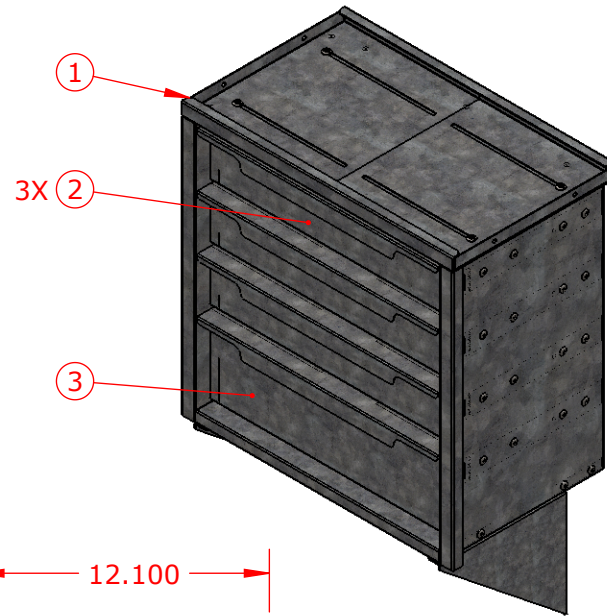


**NOTES:**

- GALVANIZED STEEL CONSTRUCTION
- CABINET:**
  - ADJUSTABLE TOP
  - SUPPORT BRACKETS
- DRAWERS:**
  - 250LB DRAWER SLIDES
  - 2X DIVIDER PER DRAWER(OPTIONAL)



PH:(613)530.3419  
FAX:(613)546.5489

**DESCRIPTION**  
**SERVICE DRAWER UNIT**

**PART NO.**  
**SD(G)-202012-001**

	NAME	DATE
DRAWN	VS	05/18/2017
CHECKED	JB	May 19, 2017

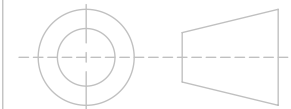
**RELEASED TO PRODUCTION**

**PROPERTIES**

MATERIAL:	N/A
THICKNESS:	N/A
FINISH	NONE
WEIGHT:	83.045 LB

TOLERANCES UNLESS OTHERWISE SPECIFIED:

X.X	± 0.025
X.XX	± 0.010
X.XXX	± 0.005



DO NOT SCALE DRAWING

**PROPRIETARY AND CONFIDENTIAL**

THE INFORMATION CONTAINED IN THIS DRAWING IS THE SOLE PROPERTY OF EZSTAK LLC. ANY REPRODUCTION IN PART OR AS A WHOLE WITHOUT THE WRITTEN PERMISSION OF EZSTAK LLC IS PROHIBITED.

SIZE                      REV  
**A**                              -

SCALE: 1:8      SHEET 1 OF 1

UNIT:      IPS

**Deburr All Edges**

ITEM NO.	PART NUMBER	DESCRIPTION	Default/QTY.	Revision
1	1105692	Service Drawer Cabinet	1	-
2	1105653	Drawer Assem- 4"	3	-
3	1105667	Drawer Assem - 6"	1	-