

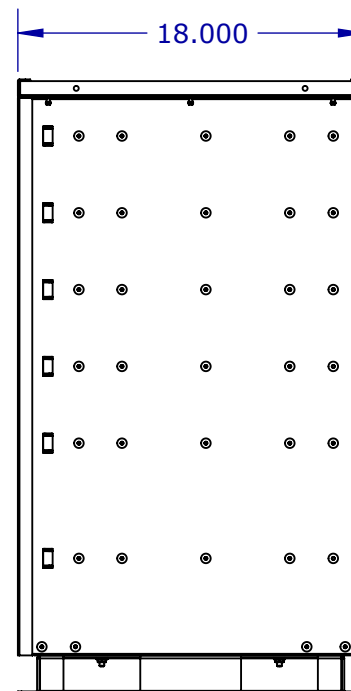
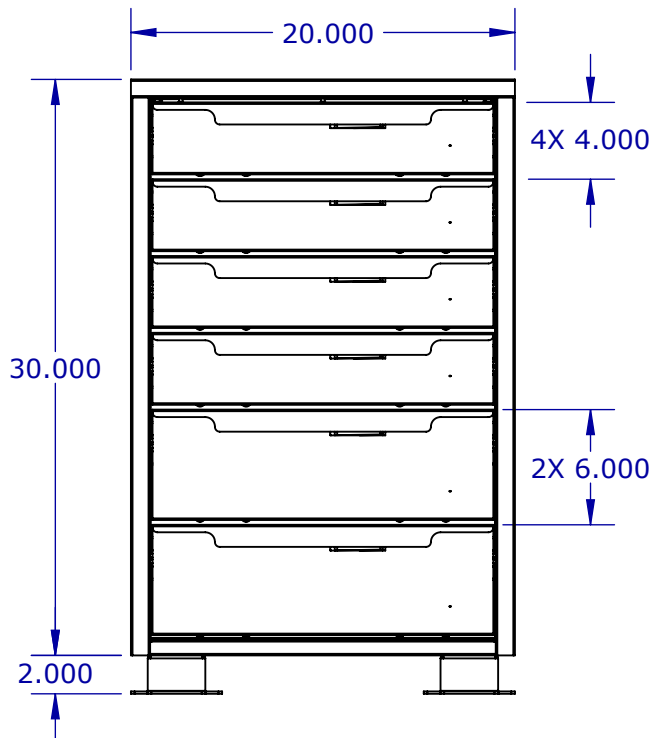
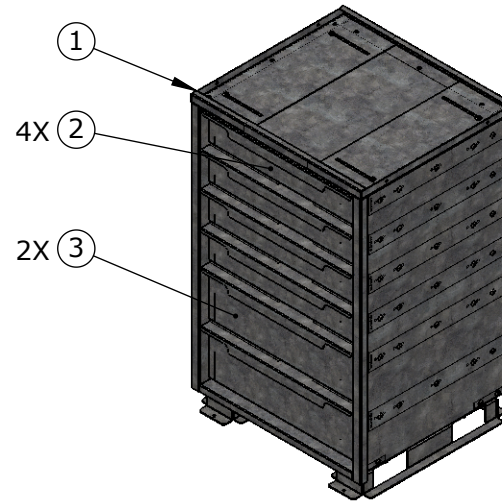
NOTES:

- GALVANIZED STEEL CONSTRUCTION
- CABINET:**

- ADJUSTABLE TOP
- PLUS 2" INSTALL FEET

DRAWERS:

- 200LB DRAWER SLIDES
- 2X DIVIDERS PER DRAWER (OPTIONAL)



ITEM NO.	PART NUMBER	DESCRIPTION	Default/QTY.	Revision
1	1154755	Service Drawer Cabinet	1	-
2	1154764	Drawer Assem- 4"	4	-
3	1154778	Drawer Assem - 6"	2	-



PH:(613)530.3419
FAX:(613)546.5489

DESCRIPTION
SERVICE DRAWER UNIT

PART NO.
SD(G)-302018-002

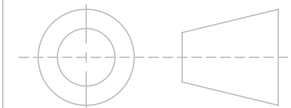
	NAME	DATE
DRAWN	VS	12/27/2017
CHECKED	JB	Jan 18, 2018
RELEASED TO PRODUCTION		

PROPERTIES

MATERIAL: N/A
THICKNESS: N/A
FINISH: NONE
WEIGHT: 158.533 LB

TOLERANCES UNLESS OTHERWISE SPECIFIED:

X.X ± 0.025
X.XX ± 0.010
X.XXX ± 0.005



DO NOT SCALE DRAWING

PROPRIETARY AND CONFIDENTIAL

THE INFORMATION CONTAINED IN THIS DRAWING IS THE SOLE PROPERTY OF EZSTAK LLC. ANY REPRODUCTION IN PART OR AS A WHOLE WITHOUT THE WRITTEN PERMISSION OF EZSTAK LLC IS PROHIBITED.

SIZE: **A** REV: -

SCALE: 1:10 SHEET 1 OF 1

UNIT: IPS

Deburr All Edges