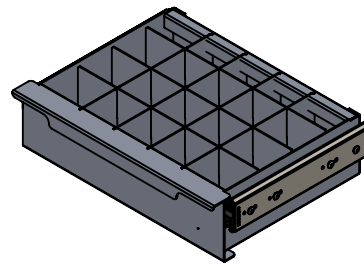
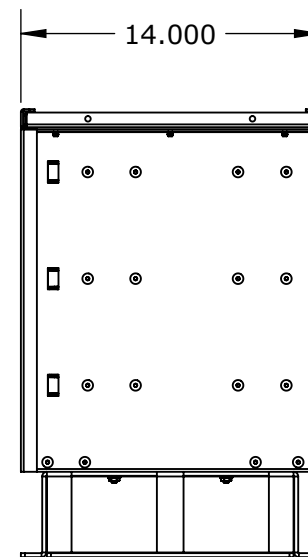
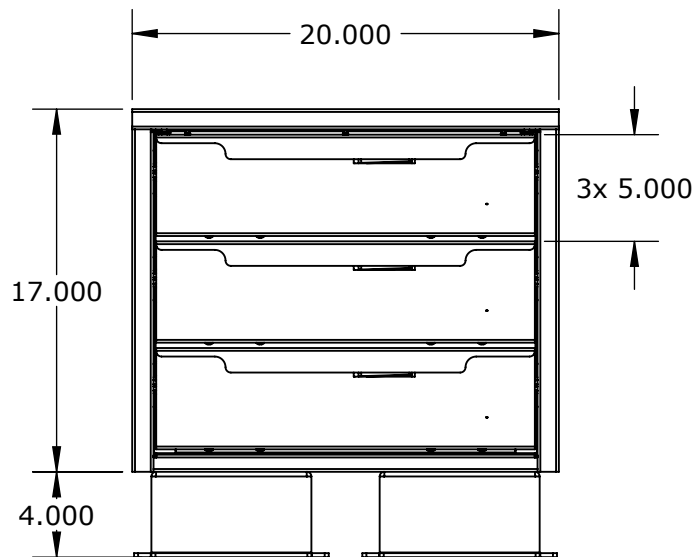
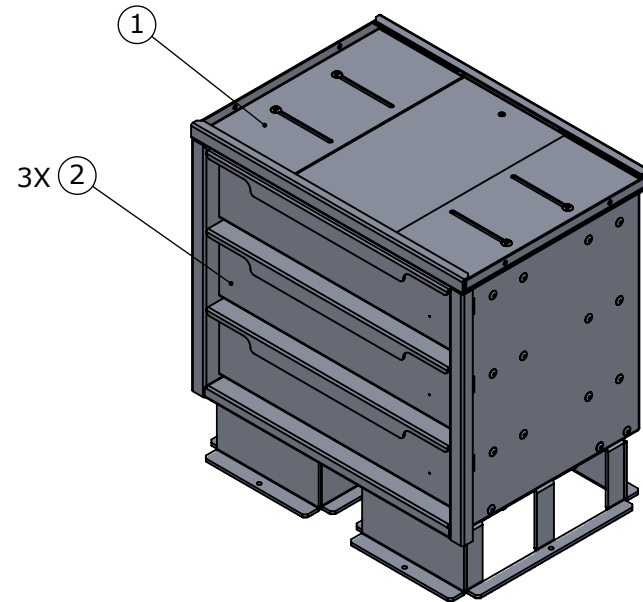


NOTES:

- ALUMINUM CONSTRUCTION
- ADJUSTABLE TOP
- 200LB DRAWER SLIDES, DETACHABLE
- PLUS 4" INSTALL FEET
- EGG CRATE DIVIDERS PER DRAWER



EGG CRATE DIVIDERS IN DRAWER



PH:(613)530.3419
FAX:(613)546.5489

DESCRIPTION
SERVICE DRAWER UNIT
PART NO.
SD-172014-002

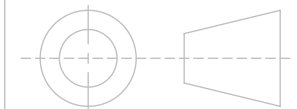
	NAME	DATE
DRAWN	AG	05/10/18
CHECKED	DDR	May 10, 2018
RELEASED TO PRODUCTION		

PROPERTIES

MATERIAL: ALUMINIUM
THICKNESS: N/A
FINISH: NONE
WEIGHT: 64.756 LB

TOLERANCES UNLESS OTHERWISE SPECIFIED:

X.X ± 0.025
X.XX ± 0.010
X.XXX ± 0.005



DO NOT SCALE DRAWING

PROPRIETARY AND CONFIDENTIAL

THE INFORMATION CONTAINED IN THIS DRAWING IS THE SOLE PROPERTY OF EZSTAK LLC. ANY REPRODUCTION IN PART OR AS A WHOLE WITHOUT THE WRITTEN PERMISSION OF EZSTAK LLC IS PROHIBITED.

SIZE: **A** REV: -

SCALE: 1:9 SHEET 1 OF 1

UNIT: IPS

Deburr All Edges

ITEM NO.	PART NUMBER	DESCRIPTION	QTY.	Revision
1	1203324	SERVICE DRAWER CABINET ASSEM	1	-
2	1203333	DRAWER ASSEMBLY - 5"H	3	-