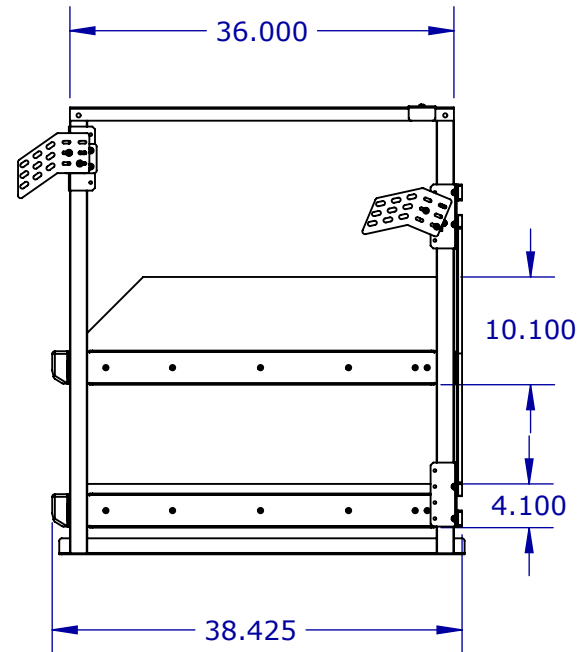
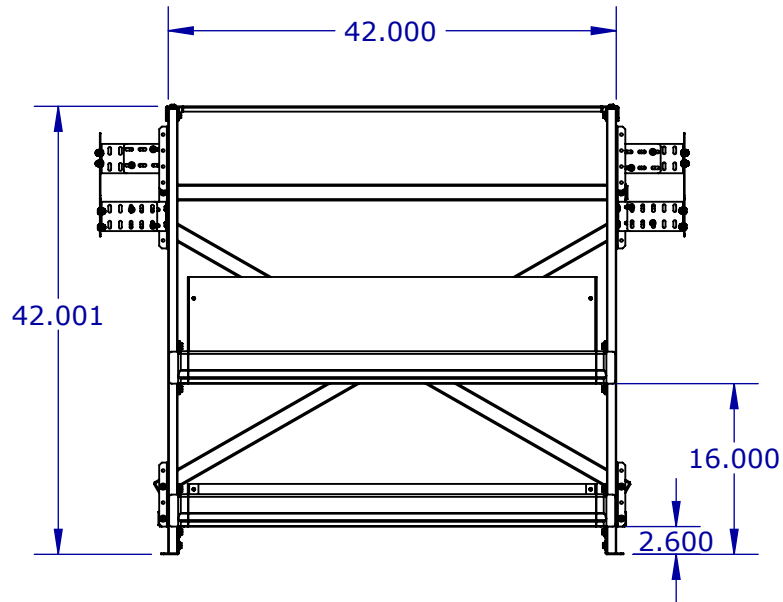
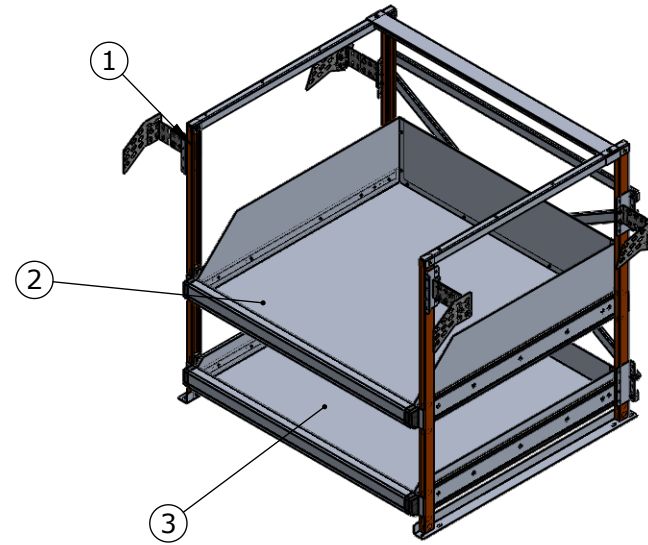


NOTES:

- ALUMINUM CONTRUCTION
- UNISTRUT FRAME CONSTRUCTION
- ADJUSTABLE SHELVES
- 1-4"H SHELF, & 1-10"H SHELF
- 500LB LOCK-IN LOCK-OUT SLIDES
- DRAWER RELEASE HANDLES
- MOUNTING BRACKETS INCLUDED



PH:(613)530.3419
FAX:(613)546.5489

DESCRIPTION
SLIDE SHELF UNIT

PART NO.
SSU-424236-001

| | NAME | DATE |
|---------|------|--------------|
| DRAWN | A | 04/06/2017 |
| CHECKED | JB | Apr 06, 2017 |

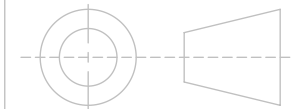
RELEASED TO PRODUCTION

PROPERTIES

MATERIAL: ALUMINIUM
THICKNESS: SEE PART DRAWINGS
FINISH: NONE
WEIGHT: 132.61 LB

TOLERANCES UNLESS OTHERWISE SPECIFIED:

X.X ± 0.025
X.XX ± 0.010
X.XXX ± 0.005



DO NOT SCALE DRAWING

PROPRIETARY AND CONFIDENTIAL

THE INFORMATION CONTAINED IN THIS DRAWING IS THE SOLE PROPERTY OF EZSTAK LLC. ANY REPRODUCTION IN PART OR AS A WHOLE WITHOUT THE WRITTEN PERMISSION OF EZSTAK LLC IS PROHIBITED.

SIZE **A** REV **02**

SCALE: 1:18 SHEET 1 OF 1

UNIT: IPS

Deburr All Edges

| ITEM NO. | PART NUMBER | DESCRIPTION | QTY. | Revision |
|----------|-------------|-------------------|------|----------|
| 1 | 1080032 | SHELF FRAME ASSEM | 1 | 02 |
| 2 | 1080020 | SHELF UNIT - 10"H | 1 | 02 |
| 3 | 1080026 | SHELF UNIT - 4"H | 1 | 02 |