



WORK READY TRAILER PACKAGES



YOUR TRUSTED ADVISORS
FOR UPFITTING TRAILERS

2020 TRAILER GUIDE





YOUR ONE STOP SHOP

FOR MOBILE WORKSPACE SYSTEMS

Founded in 1998, EZ STAK is an industry leader and manufacturer of vehicle interior storage systems for trailers, vans, and service utility trucks. Our durable, secure and lightweight aluminum storage units create organized and secure mobile workspaces.

EZ STAK's design and engineering team utilizes the latest SolidWorks 3D technology to create storage systems and customized solutions to meet the unique needs of our customers.

EZ STAK is committed to providing exceptional customer service and workmanship making EZ STAK products the preferred and trusted choice for fleets globally.

OUR MISSION

We are a global manufacturer of high quality mobile workspace systems, providing our Customers the joy of a well organized, safe, and secure work environment.

TABLE OF CONTENTS

FITS RIGHT EVERY TIME

04-05 12-16' Trailer Packages

06-07 20' Trailer Packages

08-09 30-53' Trailer Packages

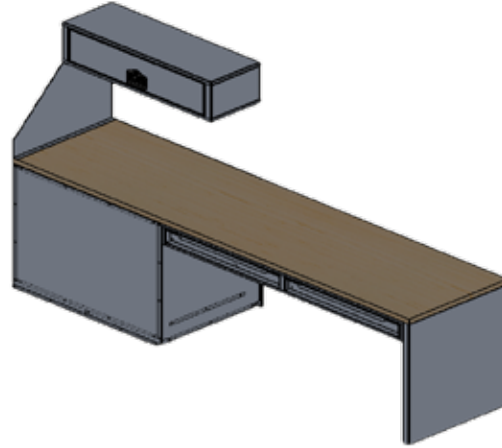
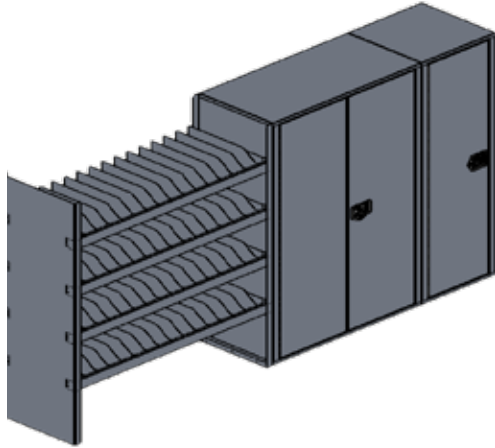
10-11 Upfits Include/Accessories

When a workspace is compact, proper organization is key to maximizing efficiency and improving productivity. That's why, when designing work-ready trailers, we work with you one-on-one to create a storage solution that fits how you're going to use it.





12' TRAILER CONSTRUCTION UPFIT

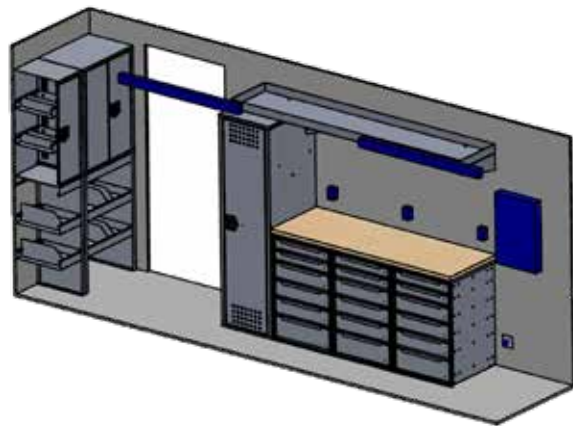
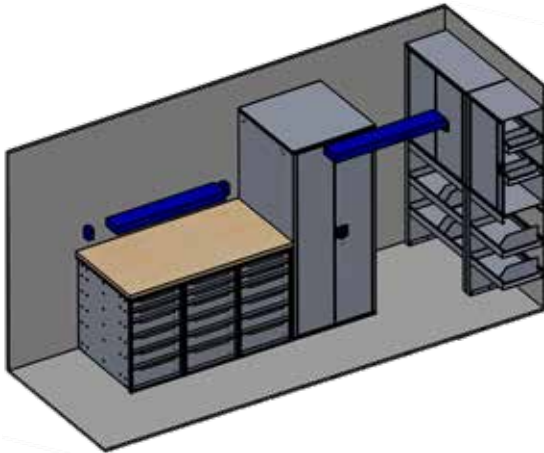


ITEM	DESCRIPTION	QTY
DRIVER SIDE:		
Shelving unit	72"H x 48"W x 18"D	1
Closet unit	72"H x 36"W x 18"D	1
Locker unit	72"H x 18"W x 18"D	1
PASSENGER SIDE:		
Chest unit	12"H x 36"W x 12"D	1
Drawer unit	6"H x 58.5"W x 24"D	1
Countertop	96"W x 24"D	1
Generator cabinet	36"H x 36"W x 24"D	1

TRAILER FEATURES

- Spray foam insulation
- White PVC paneling on walls & ceiling
- Grey coin high traction floor
- Shore power
- GFI outlets
- LED lights
- Scene & directional lights
- 2x 110V outlets
- Battery charger

16' TRAILER MOBILE MECHANIC



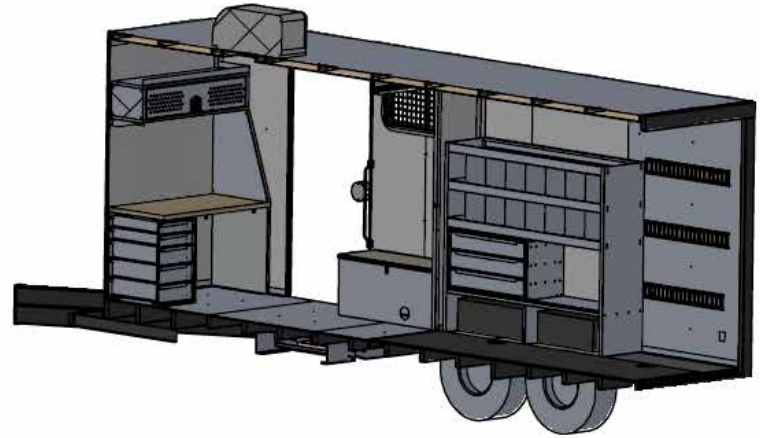
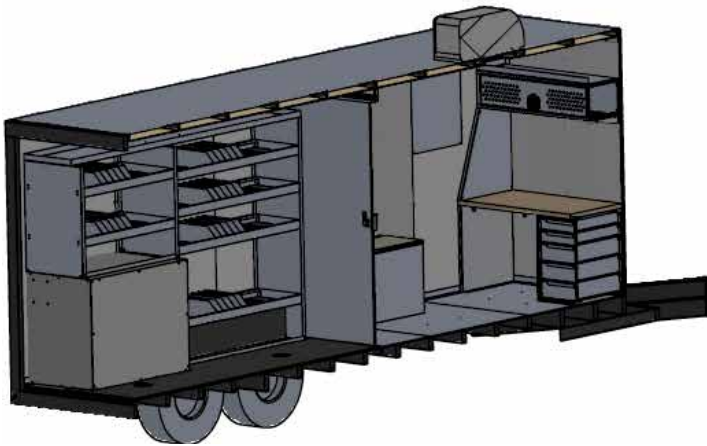
ITEM	DESCRIPTION	QTY
DRIVER SIDE:		
Drawer unit	36"H x 24"W x 24"D	3
Countertop	72"W x 24"D	1
Closet unit	72"H x 36"W x 24"D	1
Closet unit	36"H x 26.5"W x 18"D	3
Shelving unit	40"H x 26.5"W x 18"D	3
PASSENGER SIDE:		
Drawer unit	36"H x 24"W x 24"D	3
Countertop	72"W x 24"D	1
Closet unit	72"H x 36"W x 24"D	1
Locker unit	72"H x 20"W x 24"D	1

TRAILER FEATURES

- Rear barn doors
- 32" side door
- Full exterior LED lighting
- 3/8" plywood lined walls
- 3/4" plywood lined floor
- 6x outlets above countertop
- Shore power
- 8 circuit 100AMP electrical panel



20' TRAILER UTILITY UPFIT

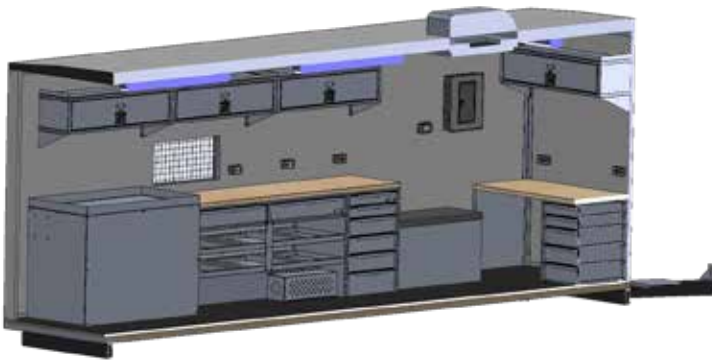


ITEM	DESCRIPTION	QTY
DRIVER SIDE:		
Shelving unit	61"H x 72"W x 18"D	1
Drawer unit	20"H x 36"W x 18"D	1
Chest unit	12"H x 48"W x 14"D	2
PASSENGER SIDE:		
Generator cabinet	37"H x 30"W	1
Shelving unit	61"H x 72"W x 18"D	1
Drawer unit	20"H x 36"W x 18"D	1
Chest unit	12"H x 48"W x 14"D	2

TRAILER FEATURES

- Generator cabinet c/w rollup gortite door
- Rear ramp
- Full exterior LED lighting
- Roof top A/C unit
- D4 Espar heater
- Onan 7500w quiet diesel generator
- Steel underdeck fuel tank

20' TRAILER STORM UPFIT



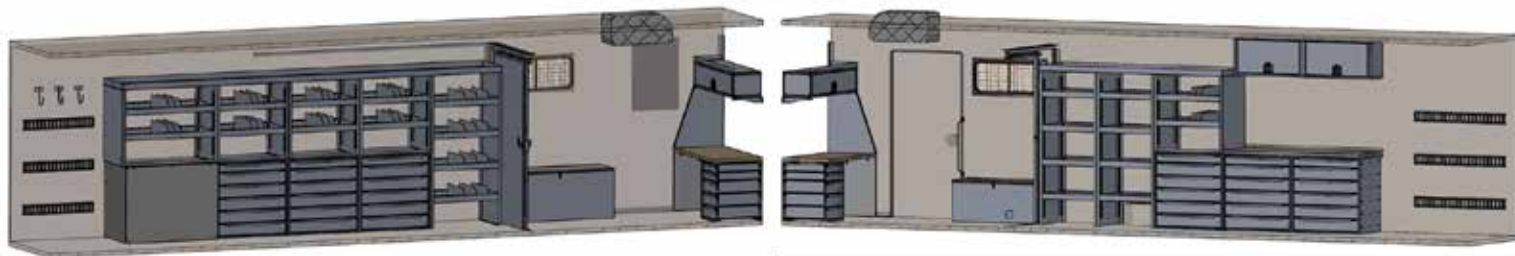
ITEM	DESCRIPTION	QTY
DRIVER SIDE:		
Chest unit	12"H x 48"W x 14"D	3
Generator cabinet	36"H x 50"W x 28"D	1
Shelving/Drawers	36"H x 72"W x 24"D	1
Drawer unit	36"H x 24"W x 24"D	1
Countertop	96"W x 24"D	1
PASSENGER SIDE:		
Closet unit	72"H x 36"W x 24"D	1
Closet unit	36"H x 36"W x 24"D	2
Shelving/Drawers	36"H x 72"W x 24"D	1

TRAILER FEATURES

- 34" side door c/w camlock
- 15" x 20" tinted slide windows w/ screen
- Onan 6000W diesel generator 120V, 50A
- Fuel tank c/w gauge under bench seating
- 4x scene lights
- 3x LED vaportite lights on inside
- Shore power
- 2x exterior plugs
- Roof mount air conditioner
- Espar heater



30' TRAILER RESPONSE UPFIT

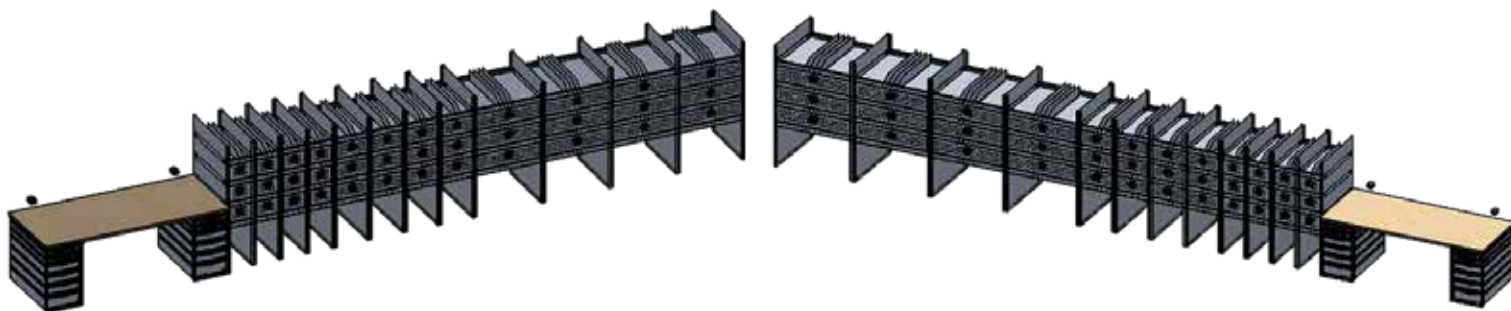


ITEM	DESCRIPTION	QTY
DRIVER SIDE:		
Shelving unit	36"W each section	3
Shelving unit	72"H x 36"W x 24"D	1
Drawer unit	36"H x 36"W x 24"D	3
Generator cabinet	36"H x 46.75"W x 24"D	
PASSENGER SIDE:		
Shelving unit	72"H x 30"W x 24"D	1
Drawer unit	36"H x 26"W x 24"D	3
Chest unit	18"H x 36"W x 12"D	2

TRAILER FEATURES

- 3x swivel hooks
- 3 rows of 3' E-Track
- 3 rows of 5' E-Track
- Onan 7.5KW quiet diesel generator
- 120V control panelzz
- Storage bench c/w foam seating
- Fuel tank underneath c/w fuel gauge
- 13,500 VTU roof mount air conditioner
- Sliding door to separate office from cargo area
- Passenger side window c/w screen

53' TRAILER TOOL UPFIT



ITEM	DESCRIPTION	QTY
DRIVER SIDE:		
Shelving unit	72"H x 48"W x 24"D	4
Shelving unit	72"H x 24"W x 24"D	4
Shelving unit	72"H x 18"W x 24"D	4
Drawer unit	36"H x 24"W x 24"D	2
Countertop	120"W x 24"D	1
PASSENGER SIDE:		
Shelving unit	72"H x 48"W x 24"D	4
Shelving unit	72"H x 24"W x 24"D	4
Shelving unit	72"H x 18"W x 24"D	4
Drawer unit	36"H x 24"W x 24"D	2
Countertop	120"W x 24"D	1

TRAILER FEATURES

- Shore power
- 4x plug outlets
- 2x weathertight GFCI outlets
- 6x vaportite LED 110V lights
- LED scene light
- Spray foam insulated walls & ceiling
- PVC wall paneling
- 3/4" plywood flooring

UPFITS INCLUDE

01 INSULATION

Add R-value to the trailer body while reducing condensation with spray foam insulation.

02 PANELING

Add additional wall & ceiling protection by having us install 1/4" smooth white pre-coated plywood.

03 LIGHTING

Brighten up your workspace with energy efficient lighting for both interior and exterior applications with 10/12V options.

04 FLOORING

Protect your trailer deck with hexagonal patterned flooring and additional heavy rubber matting.

05 POWER

Choose from shore power, Pure shine inverters, Onan generators, portable power options, HVAC and GFIs.

06 CABINETS

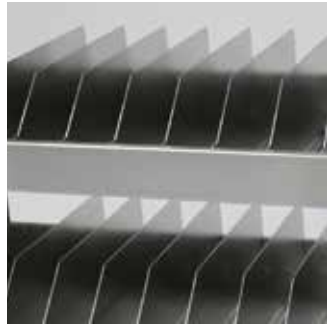
Choose any of our high-grade aluminum cabinets, lockers, closets, drawers, chests, shelving, bin units and workbenches.



ACCESSORIES



RUBBER MATTING



ADJUSTABLE DIVIDERS



PERFORATED DOORS



HINGE DOWN DOOR



E-TRACKS



UNDERBODY DRAWER



GENERATOR CABINET



ROLL-OUT CABINET





WHO IS UPFITTING YOUR NEXT TRAILER?

EZ STAK LLC

20400 Old Rome State Road
Watertown, NY 13601

EZ STAK INC

638 Fortune Cres Kingston,
ON K7P 2T3

EZ STAK delivers its products through a network of national distributors. Look for a distributor near you at ezstak.com

If you don't see what fits your specific need in this brochure, please call our customer care team to discuss what innovative product solution is best for you.

(USA) 630.994.3300
(Canada) 613.530.3419

