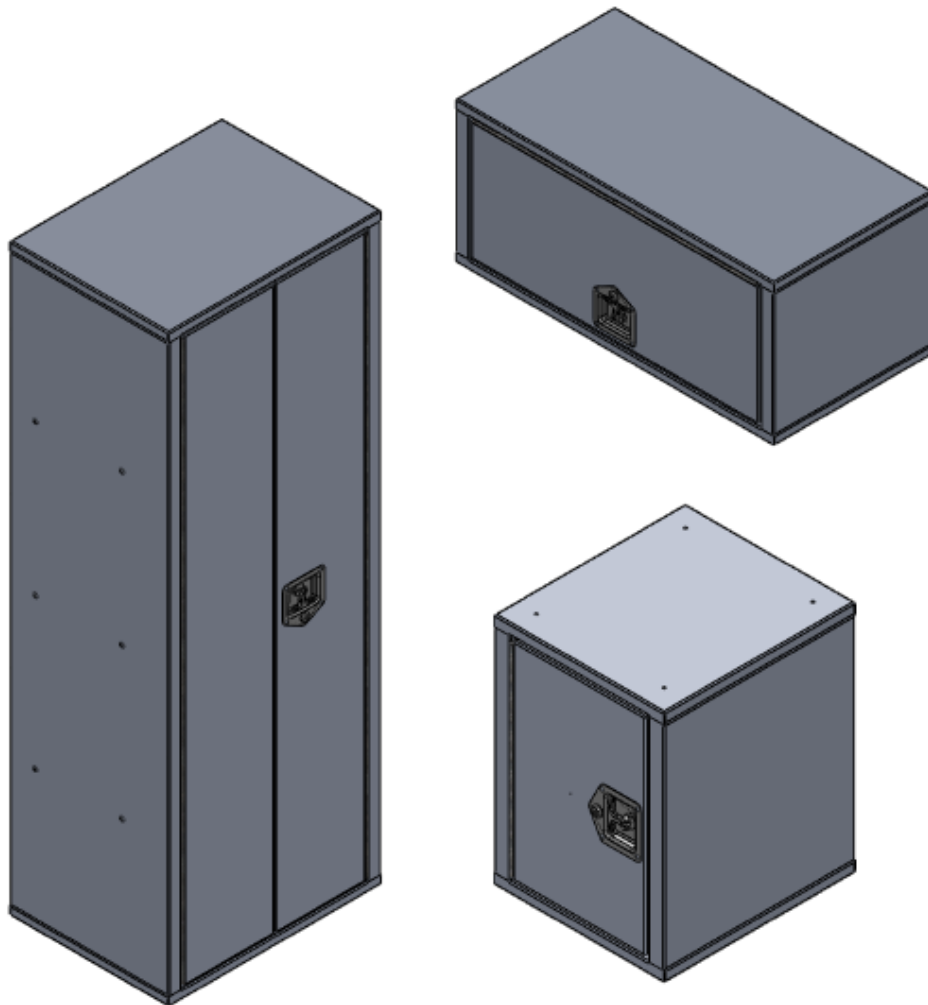
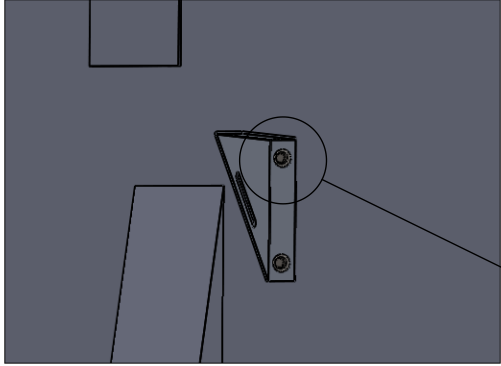




# USER GUIDE

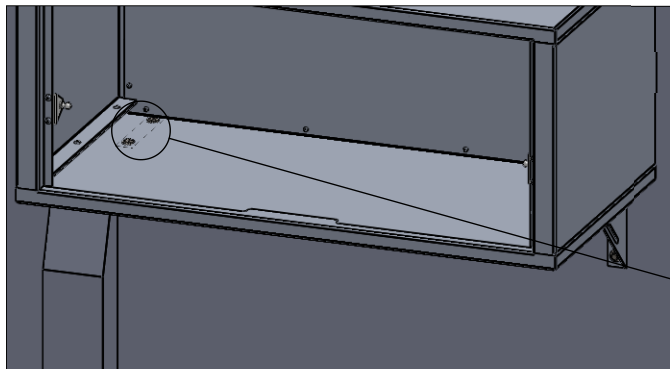
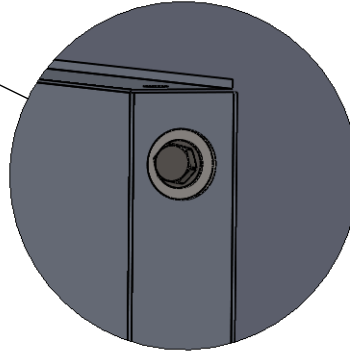
Closet, Locker and Chest Unit



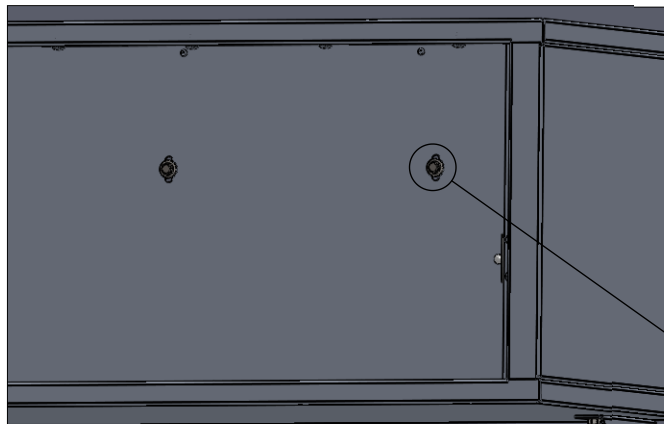
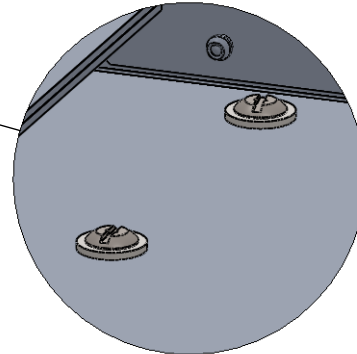


**STEP 1:**  
IF APPLICABLE, USE 90° GUSSET BRACKETS TO SUPPORT THE CABINET. ALIGN THE GUSSETS THEN FASTEN TO THE WALL WITH ¼" SELF-TAPPING SCREWS AND FLAT WASHERS.

ENSURE SCREWS WILL NOT DAMAGE FUEL TANKS, FUEL LINES, BRAKE LINES, WIRING, ETC.

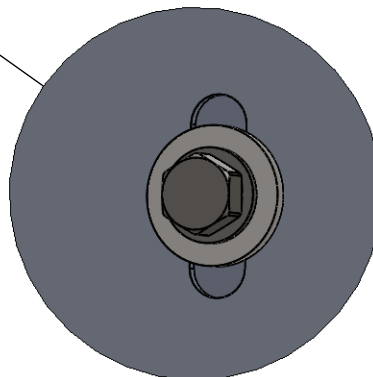


**STEP 2:**  
PREDRILL HOLES AND USE ¼-20 TRUSS HEAD BOLTS, FLAT WASHERS, AND NYLOC NUTS TO ATTACH TO THE CABINET



**STEP 3:**  
ALIGN THE UNIT IN THE VEHICLE AND USE ¼" SELF-TAPPING SCREWS TO FASTEN IT TO THE BACK WALL THROUGH THE MOUNTING HOLES ON THE BACK PANEL IF POSSIBLE.

ENSURE SCREWS WILL NOT DAMAGE FUEL TANKS, FUEL LINES, BRAKE LINES, WIRING, ETC.





PH:(613)530.3419  
FAX:(613)546.5489

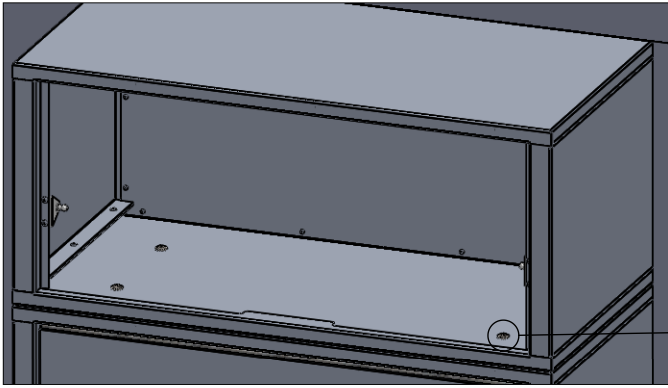
**INSTALL INSTRUCTION**

CH, CL, LK

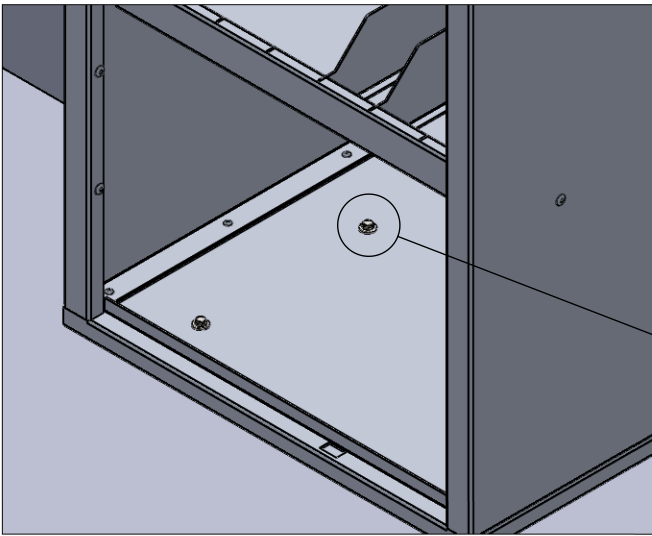
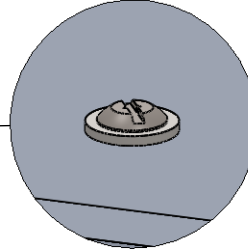
REVISION	DATE
I-1	12/12/17

**PROPRIETARY AND CONFIDENTIAL**

THE INFORMATION CONTAINED IN THIS DRAWING IS THE SOLE PROPERTY OF EZSTAK LLC. ANY REPRODUCTION IN PART OR AS A WHOLE WITHOUT THE WRITTEN PERMISSION OF EZSTAK LLC IS PROHIBITED.

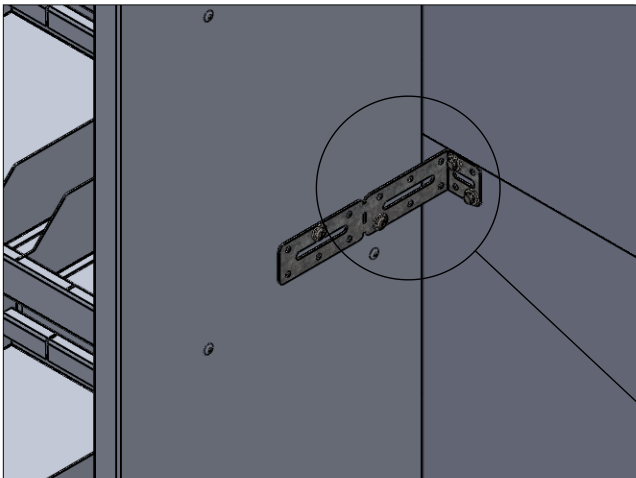
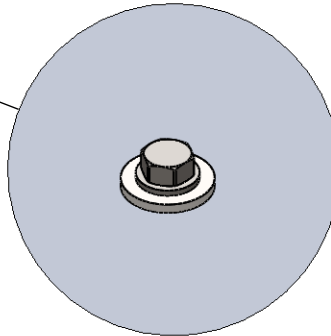


**STEP 4:**  
IF THE UNIT SITS DIRECTLY ON TOP OF OR BELOW ANOTHER UNIT, CLAMP THE UNITS TOGETHER, PREDRILL HOLES AND FASTEN THEM USING ¼-20 TRUSS HEAD BOLTS, FLAT WASHERS, AND NYLOC NUTS



**STEP 5:**  
FOR UNITS THAT SIT DIRECTLY ON THE FLOOR, PREDRILL HOLES AND FASTEN THEM USING ¼" SELF-TAPPING SCREWS WITH FLAT WASHERS.

ENSURE SCREWS WILL NOT DAMAGE FUEL TANKS, FUEL LINES, BRAKE LINES, WIRING, ETC.



**STEP 6:**  
FOR TALL UNITS USE A STRAIGHT 90° ANGLE BRACKET TO SECURE THE UNIT TO THE SIDE WALL OF THE VEHICLE

**STEP 7:**  
USE ¼-20 TRUSS HEAD BOLTS, FLAT WASHERS, AND NYLOC NUTS TO ATTACH TO THE CABINET AND ¼" SELF-TAPPING SCREWS WITH FLAT WASHERS TO FASTEN TO THE WALL.

ENSURE SCREWS WILL NOT DAMAGE FUEL TANKS, FUEL LINES, BRAKE LINES, WIRING, ETC.

