



USER GUIDE

500LBS Heavy-Duty Removable Drawer



PREFACE

We understand the time and convenience is very valuable for Service Fleet Managers and Heavy Duty (500lb) Service Body Drawers continue to pose challenges as drawers are not removable with respect to the Cabinet, making it time consuming to install the Unit, cleaning the drawers etc. To counter this problem, EZ STAK has come up with a unique solution, which makes the drawers removable while still using the 500lb ball-bearing slides. So, in addition to the Expandable top, you can also take the drawers out, making installation and cleaning easier.

Corrections or recommendations for improvement of this manual should be addressed to:

EZ STAK INC.

20400 Old Rome State Road

Watertown, NY 13601

P: 315.595.3300

E: info@ezstak.com

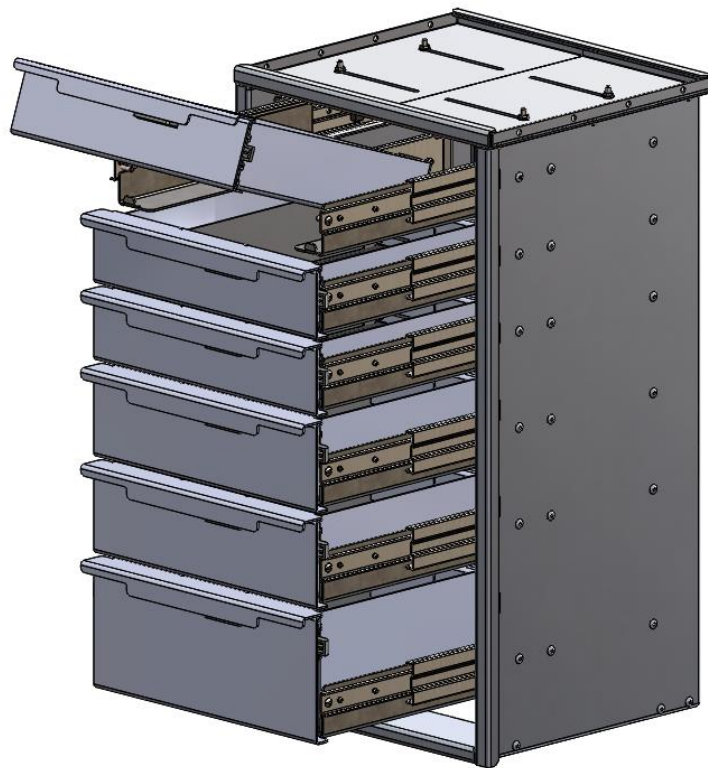




Table of Contents

Before you get started	4
General Information, Caution and Warning	4
Tools, PPE, and Fasteners required	4
Inside the Package	4
Know your product	5
500 lb. removable drawers' features.....	5
Product numbers and Drawers configuration	5
Sample Product Drawing for Reference:	6
Installation Instructions	7
Operation Instructions.....	9
To open drawers	9
To close drawers	9
To remove drawers.....	9
To reattach the drawers	9
Maintenance Instructions	10
Warranty	10
Warranty Guidelines:	10
Disclaimer:	11

Before you get started

General Information, Caution and Warning

- To reduce the risk of injury, read and heed all warnings and instructions.
- Always use safety precautions, maintain a clean, well-organized workspace.
- Use personal protective equipment while unpacking, installing, operating & maintaining the product.
- Never take the drawer out when filled beyond 51 lb for product and operator's safety. Unload the items first and then take out the drawer.
- If you are unsure at any point during your interaction with the product, contact EZ STAK INC. customer care at the contact details provided in this document.

Tools, PPE, and Fasteners required

- Socket and Ratchet – 7/16, with extension.
- Philips-Head Screwdriver set.
- Safety gloves
- Safety shoes
- 1/4" Self Tapping Screws (12 Nos.)
- Washer, Flat, 1/4" Dia., 3/4" OD, (12 Nos.)

Note: PPE mentioned above are the minimum requirement, customers are advised to use proper PPE as they believe are required for Installation, Operation and Maintenance of this product.

Inside the Package

- 500 lb. removable drawer configuration as opted, Qty-as purchased.
- Additional items (Rubber Mats, Dividers) as opted.
- User Guide

Know your product

500 lb. removable drawers' features

- Removable drawers for ease of installation and cleaning
- Drawers with Proprietary slam latch and made for one hand operation
- Adjustable dividers
- Premium 500lb drawer slides
- Vehicular derating of these 500lb slides is nearly 318lb each pair so load the drawers cautiously.
- Expandable top for secure installation and more storage space
- Additional options are Rubber mats and Dividers.

Product numbers and Drawers configuration

PART NUMBER	DIMENSIONS (H - W - D) INCHES	WEIGHT (lb)	DRAWER CONFIGURATION
HDR-32-25-18-100	32-25-18	154	3 - 4", 2 - 5", 1 - 7" HIGH DRAWERS
HDR-33-18-16-100	33-18-16	119	3 - 4", 2 - 5", 1 - 7" HIGH DRAWERS
HDR-33-26-16-100	33-26-16	147	3 - 4", 2 - 5", 1 - 7" HIGH DRAWERS
HDR-43.5-14-18-100	43.5-14-18	155	5 - 4", 2 - 6", 1 - 8" HIGH DRAWERS
HDR-43.5-18-18-100	43.5-18-18	175	5 - 4", 2 - 6", 1 - 8" HIGH DRAWERS
HDR-43.5-28-18-100	43.5-28-18	219	5 - 4", 2 - 6", 1 - 8" HIGH DRAWERS
HDR-W-32-25-18-100	32-25-18	146	3 - 4", 2 - 5", 1 - 7" HIGH DRAWERS
HDR-W-33-18-16-100	33-18-16	112	3 - 4", 2 - 5", 1 - 7" HIGH DRAWERS
HDR-W-33-26-16-100	33-26-16	136	3 - 4", 2 - 5", 1 - 7" HIGH DRAWERS

Note:

HDR-W, signifies the units which have a cutout (15.5" H X 2.5" D) made to accommodate for the Wheel wells.

Sample Product Drawing for Reference:

- ALUMINUM CONSTRUCTION (EXCEPT DRAWER BRACKETS)
- REMOVABLE DRAWERS WITH 500LB SLIDES
- EXPANDABLE TOP
- OPTIONS (ADDITIONAL):
- RUBBER MATS FOR EACH DRAWER
- EXTRA DRAWER DIVIDERS

REV.	ST	DESCRIPTION	APPROVER	DATE
-	01			11/06/2019

ITEM NO.	PART NUMBER	DESCRIPTION	QTY.
1	4000986	HDR, Cabinet, 43.5H x 18W x 18D, AL	1
2	4000913	HDR, Removable Drawer, 500 lb, 4H x 18W x 18D, No Lock, AL	5
3	4000906	HDR, Removable Drawer, 500 lb, 6H x 18W x 18D, No Lock, AL	2
4	4000996	HDR, Removable Drawer, 500 lb, 8H x 18W x 18D, No Lock, AL	1
5	4000952	HDR, DIVIDER, 4 H x 18D, AL	1
6	4000928	HDR, DIVIDER, 6H x 18D, AL	1
7	4000928	HDR, DIVIDER, 8H x 18D, AL	1
8	1281878	BOLT - TRUSS HEAD 1/4-20 0.75"L	16

DISCLAIMER: By signing and dating this document, I agree that all specifications, notes and dimensions are clear, correct and in accordance with intended product use, content fit and function and product envelope fit and function. I understand this agreement to be binding and accept that any future changes to this drawing or product specifications, or any other information, without my written consent, shall be the property of EZ STAK LLC. All merchandise cannot be returned. If an order is cancelled by the purchaser after the order has been released to production, EZ STAK reserves the right to charge an order cancellation fee of 40%, in addition to the normal resending fee of 20%.

Signature: _____ Date: _____

PROPERTIES

MATERIAL: ALUMINUM

FINISH: POLYESTER

FINISH COLOR: 6180 (MOST COMMON)

WEIGHT: 174.22 LB

FINISHES (INKS) CHANGES SPECIFIED

XX ± 0.05

XXX ± 0.10

XXX ± 0.25

XX ± 1

DO NOT SCALE DRAWING

PROPERTIES AND COMMENTS

FOR INFORMATION ONLY. THIS DRAWING IS NOT A CONTRACT. THE PART OR ASSEMBLY IS THE PROPERTY OF EZ STAK LLC. ALL RIGHTS RESERVED.

SCALE: 1:10 SHEET 01

UNIT: IPS

Debur All Edges

REVISIONS

REV.	ST	DESCRIPTION	APPROVER	DATE
-	01			11/06/2019

DESCRIPTION

HEADLINE
 REMOVABLE DRAWER
 UNIT 43.5H X 18W X 18D

Part: 4350-21P
 Part: 43544-569

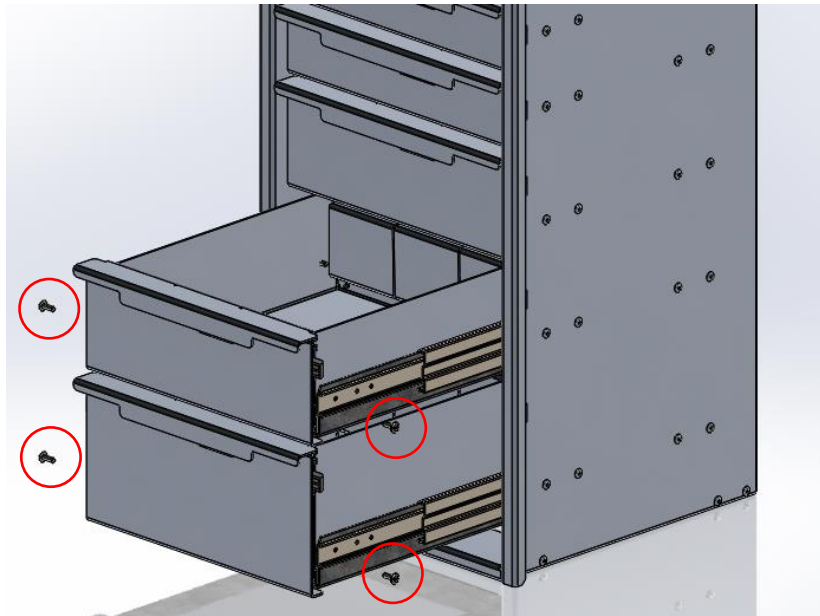
Part NO.:
HOR-43.5-18-18-100

NAME	DATE
DRAWN	08/17/2020
CHECKED	12/01/2020

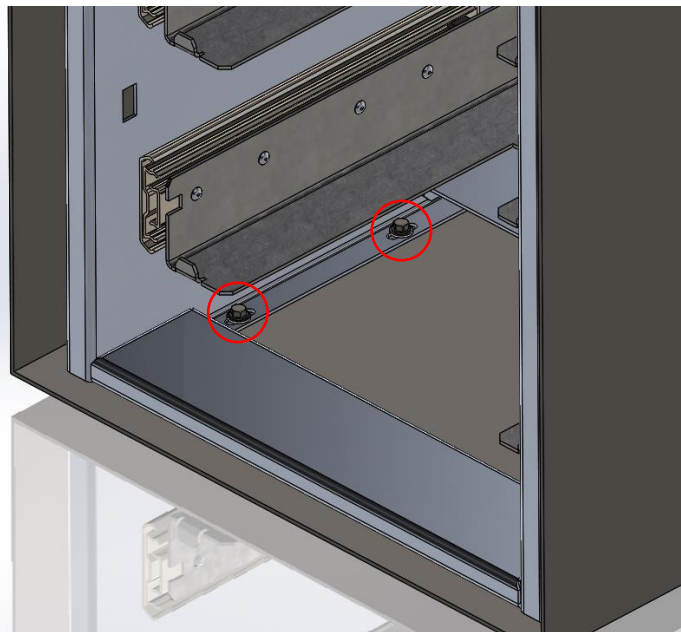
PRODUCTION READY

Installation Instructions

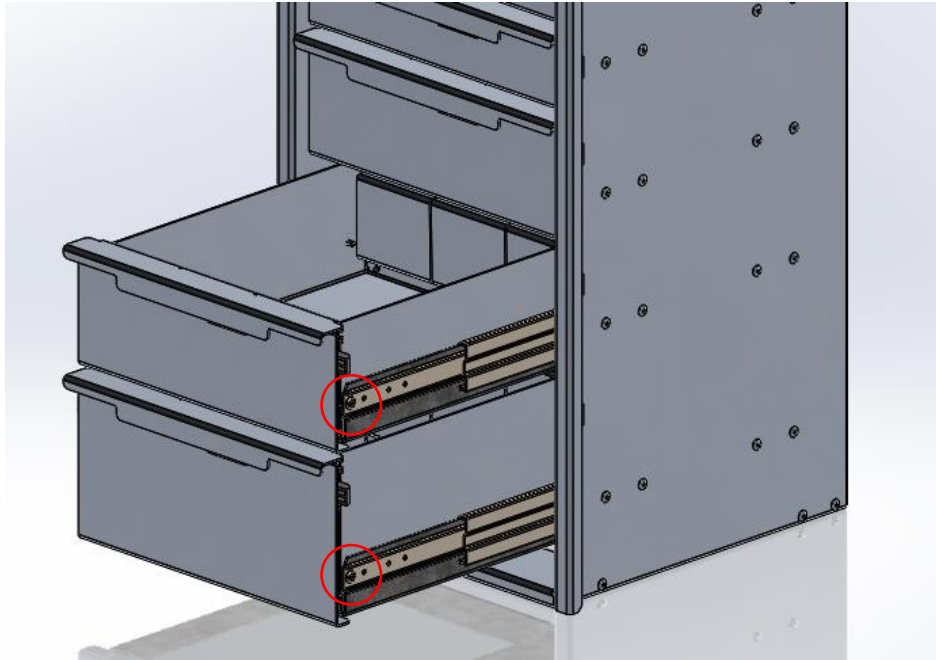
1. Remove screws on both sides of the bottom 2 drawers and take the drawers out.



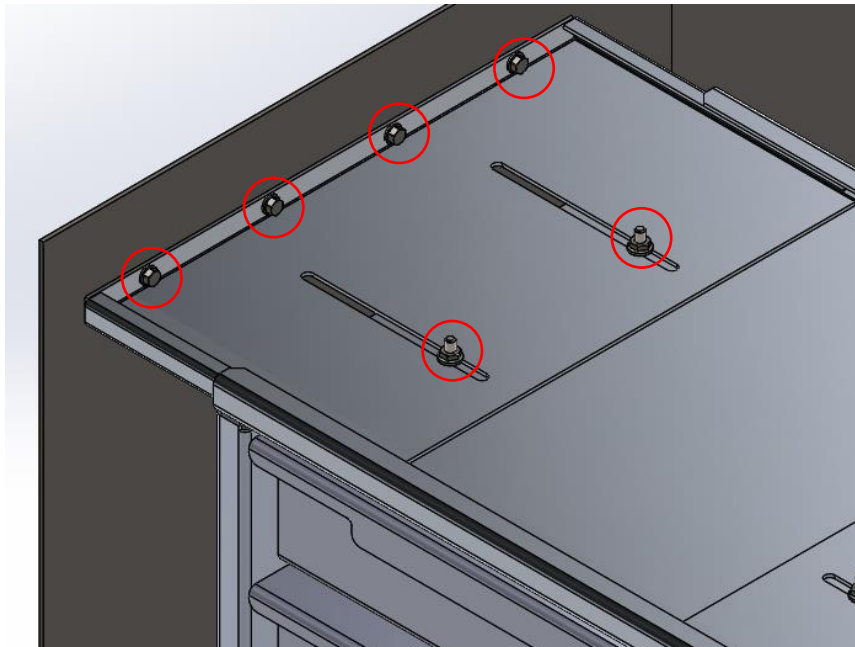
2. Align unit in position and use $\frac{1}{4}$ " self-drilling screws and washers to fasten the unit to the floor.
Ensure screws will not damage fuel tank, fuel lines, brake lines, wiring, etc.



3. Put back the drawers and fasten screws on both sides of drawer.



4. Expand the adjustable top panels by loosening the bolts in the slots and use 1/4" self-drilling screws to fasten them to the wall using the mounting holes in the panels. Retighten the bolts in slots to secure the panels. Do it both sides of the unit. Ensure screws will not damage fuel tank, fuel lines, brake lines, wiring, etc.



Operation Instructions

To open drawers

Push up the black latch handle underside the drawer handle and open the drawer.

To close drawers

Completely push the drawer inside the cabinet until you hear both latches on each side click, indicating that the drawer is secured.

Be cautious while closing the drawers, operate with one hand while keeping the other hand clear.



To remove drawers

1. Fully open the drawer.
2. Remove screws on both sides of the drawer (as explained in installation instructions).
3. Lift up and remove the drawer.

Note: Never take out the drawer when filled beyond 51lb for product and operator's safety, unload the items first and then take it out to ensure safe operation.

To reattach the drawers

1. Fully pull out the drawer mounting brackets.
2. Place the back side of the drawer onto the mounting bracket first and lay down the front side of the drawer so that locking lugs on the bracket are engaged with the drawer.
3. Fasten screws on both sides of the drawer.



Maintenance Instructions

Your product is maintenance free, however regular cleaning of product and occasional lubrication of slides can maintain great experience with the product.

Warranty

Warranty Guidelines:

Limited Lifetime Warranty

Congratulations on your purchase with EZ STAK! For over 10 years, EZ STAK has been the industry leader in mobile space systems. Today we continue to maintain our excellent reputation because we only ship products that meet our strict standards for workmanship and quality. That means that we still make our products in North America and will never compromise our standards for quality. As a result, we feel fully confident in offering our customers a limited lifetime warranty on our products.

What the Warranty Covers

EZ STAK products are warrantied to the original owner against defects in manufacturing, materials and workmanship for the lifetime of the product. If a product fails due to a defect, we will provide replacement parts, repair, or replace it, at our discretion.

Period of Coverage

EZ STAK products are warrantied for the lifetime of the product under the original owner: from the purchase date until the day they are taken out of service. For as long as you own the EZ STAK product, it is covered by our warranty.

What the Warranty Does Not Cover

This warranty does not cover damage caused by accident, alteration, improper care, improper installation, negligence, misuse, abuse, corrosion, normal wear and tear of moving parts, or the natural fading of colors over extended time and use. This warranty does not cover transportation to the dealer or manufacturer to get warranty service, loss of time, loss of use, or other incidental damages. This warranty does not cover consequential damages (the cost of repairing or replacing other property which is damaged if this product does not work properly). Items not manufactured by EZ STAK, such as slides and locking mechanisms, are covered for a period of one year from the date of the original purchase.

The warranty also does not cover any damage caused directly or indirectly by such events as accidents, civil commotions, fires, floods, earthquakes, hurricanes, tornadoes, or any other natural disasters.



Please feel free to reach out to us for any query at:

EZ STAK INC.

20400 Old Rome State Road

Watertown, NY 13601

P: 315.595.3300

E: info@ezstak.com

Thank You

You can also download Soft copy of this User Guide online at
<https://ezstak.com/service-body-drawer-systems/>

Disclaimer:

The information contained in this document are based on our general experience and are believed to be correct. They are given in good faith and are intended to provide a guideline for the use of our product. Since the conditions under which our products may be used are beyond our control, this information does not imply any guarantee of final product performance/behavior and we cannot accept any liability with respect to the use of our products.