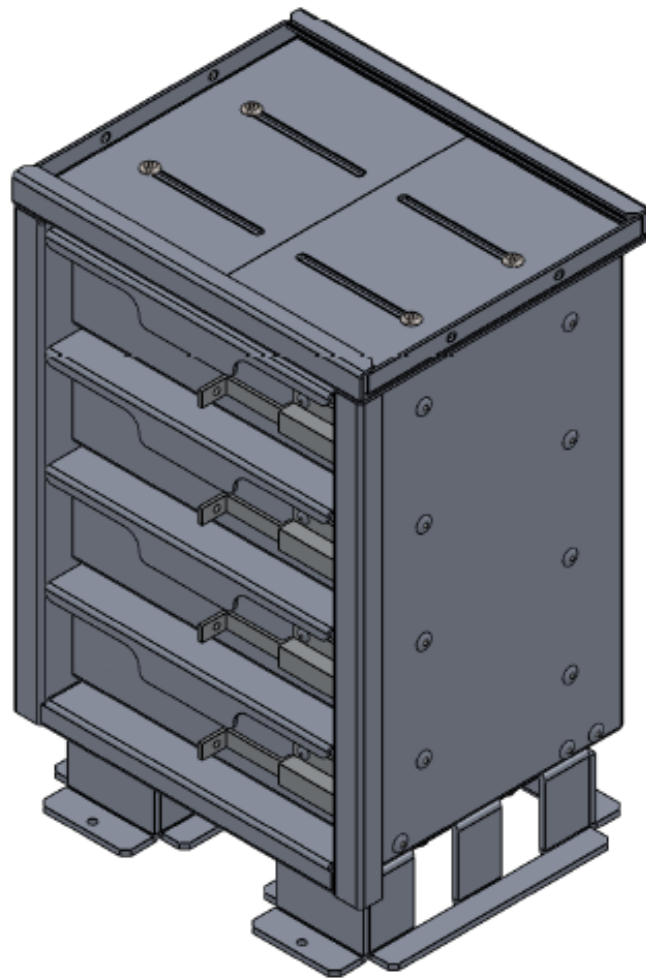




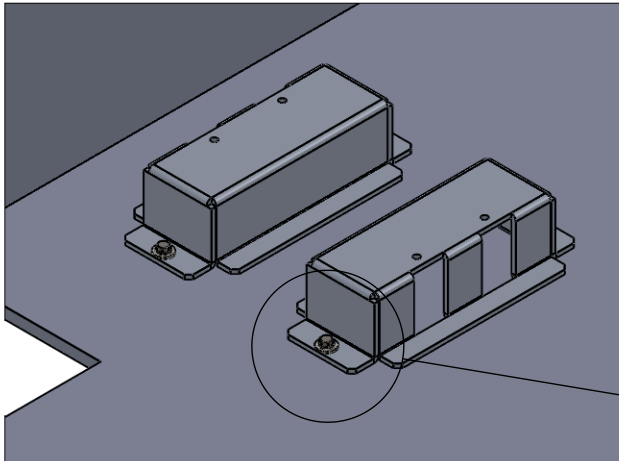
# USER GUIDE

## Service Body Drawer



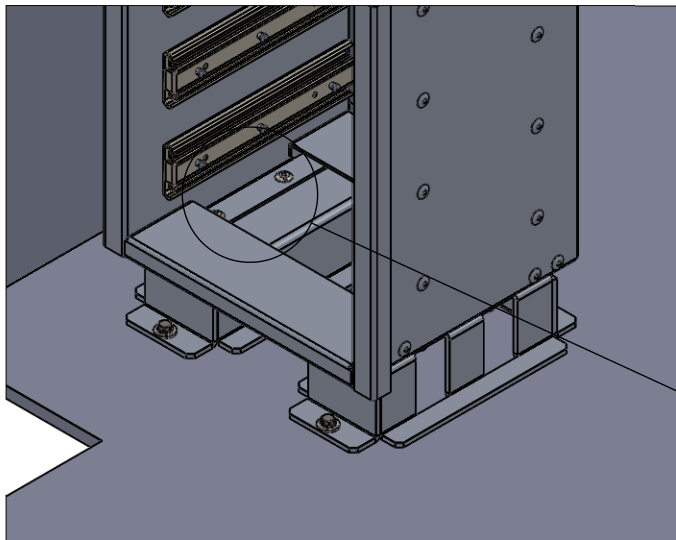
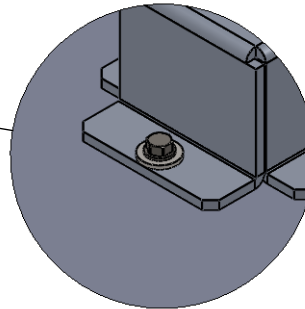


**STEP 1:**  
REMOVE DRAWERS USING TABS ON SLIDES

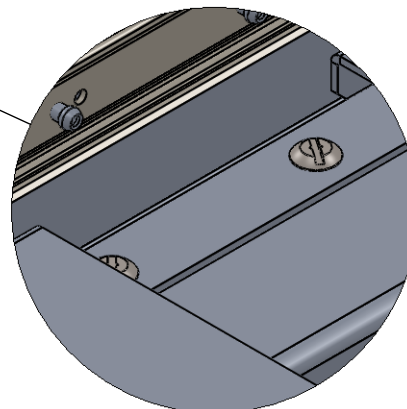


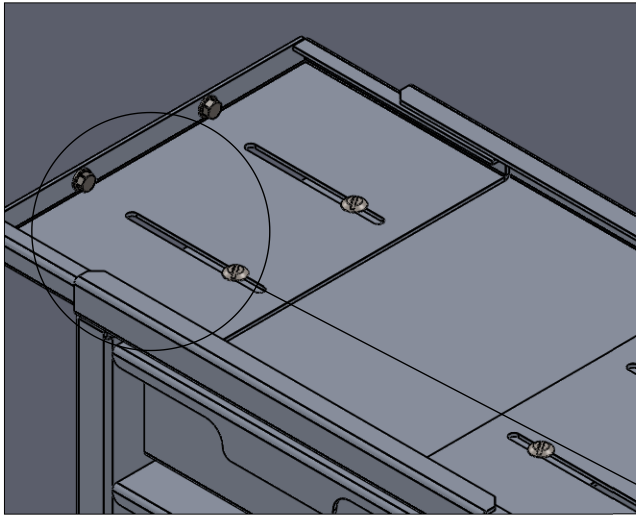
**STEP 2:**  
ALIGN UNIT IN POSITION THEN REMOVE THE CABINET AND USE ¼" SELF-TAPPING SCREWS AND WASHERS TO FASTEN FEET TO THE FLOOR.

ENSURE SCREWS WILL NOT DAMAGE FUEL TANKS, FUEL LINES, BRAKE LINES, WIRING, ETC.



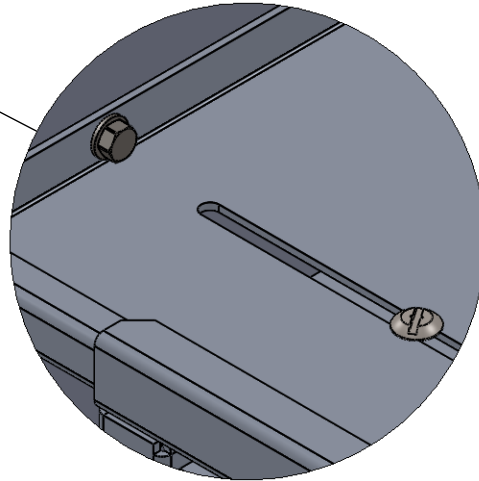
**STEP 3:**  
REATTACH THE CABINET USING ¼-20 BOLTS AND NYLOC NUTS





**STEP 4:**  
EXTEND THE ADJUSTABLE TOP PANELS BY LOOSENING THE BOLTS IN THE SLOTS AND USE ¼" SELF-TAPPING SCREWS TO FASTEN THEM TO THE WALL USING THE MOUNTING HOLES IN THE PANELS. RETIGHTEN THE BOLTS TO SECURE THE PANELS.

ENSURE SCREWS WILL NOT DAMAGE FUEL TANKS, FUEL LINES, BRAKE LINES, WIRING, ETC.



**STEP 5:**  
REINSTALL THE DRAWERS

