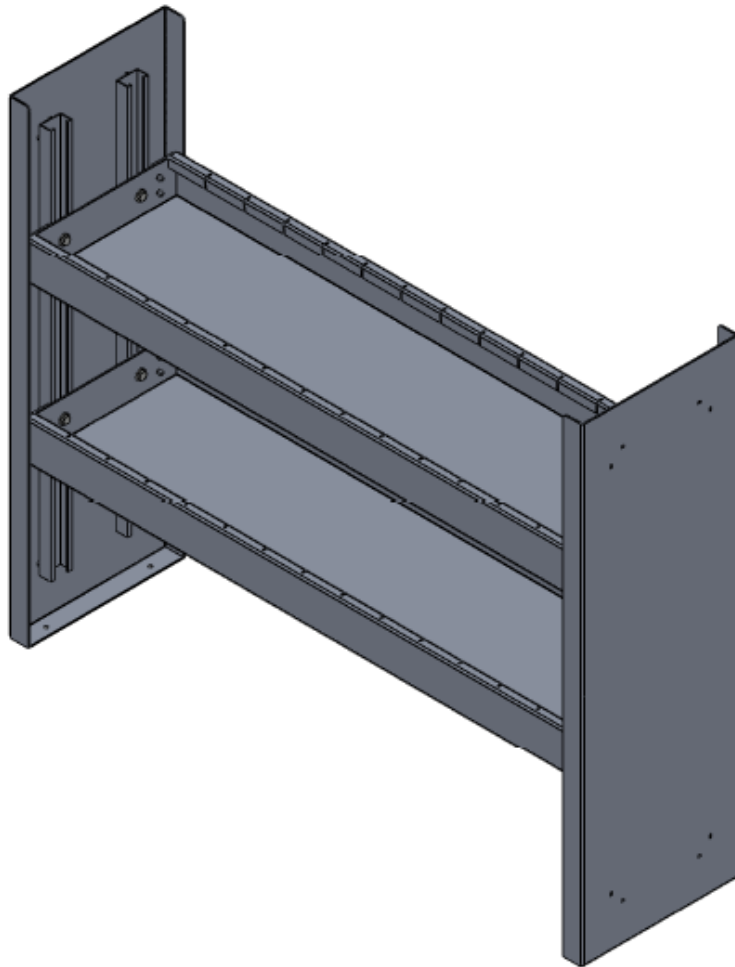




USER GUIDE

Shelving Unit





PH:(613)530.3419
FAX:(613)546.5489

INSTALL INSTRUCTION

SU

REVISION

DATE

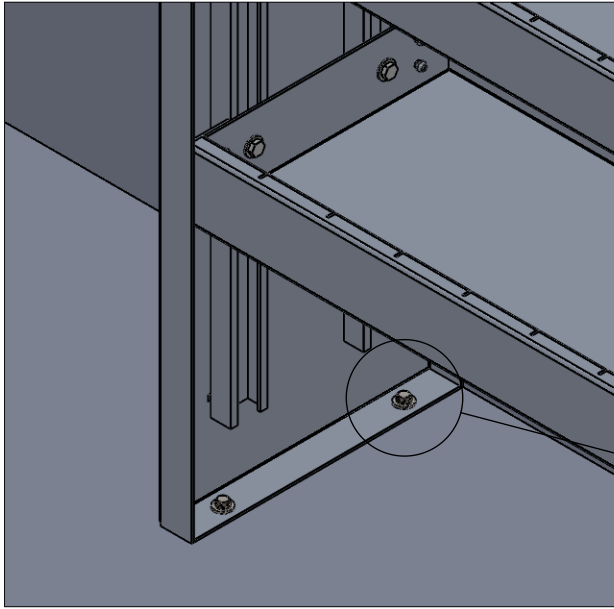
I-1

12/12/17

PROPRIETARY AND CONFIDENTIAL

SHEET 2 OF 2

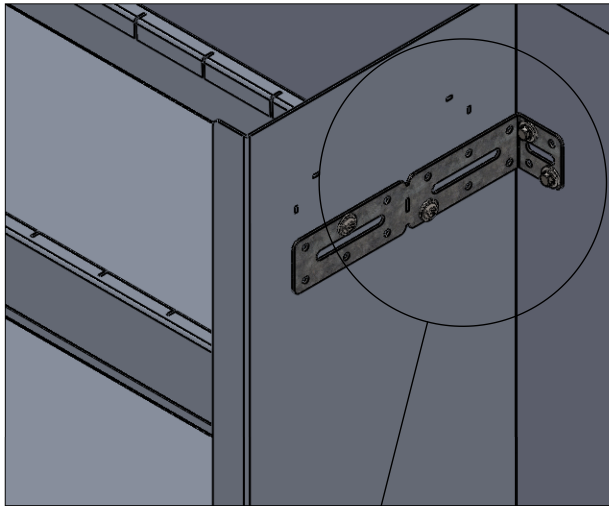
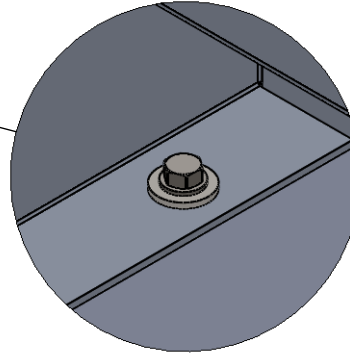
THE INFORMATION CONTAINED IN THIS DRAWING IS THE SOLE PROPERTY OF EZSTAK LLC. ANY REPRODUCTION IN PART OR AS A WHOLE WITHOUT THE WRITTEN PERMISSION OF EZSTAK LLC IS PROHIBITED.



STEP 1:

ALIGN THE UNIT IN THE VEHICLE AND USE SELF TAPPING SCREWS TO FASTEN THE UNIT TO THE FLOOR THROUGH THE MOUNTING HOLES ON THE BOTTOM FLANGE OF THE SIDE PANELS.

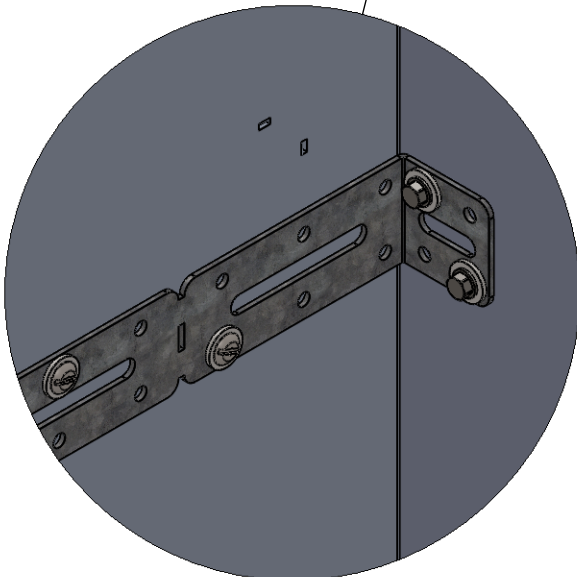
ENSURE SCREWS WILL NOT DAMAGE FUEL TANKS, FUEL LINES, BRAKE LINES, WIRING, ETC.



STEP 2:

USE A STRAIGHT 90° ANGLE BRACKET TO SECURE THE UNIT TO THE SIDE WALL OF THE VEHICLE. CHOOSE A SUITABLE POSITION AND DRILL HOLES FOR THE FASTENERS.

ENSURE SCREWS WILL NOT DAMAGE FUEL TANKS, FUEL LINES, BRAKE LINES, WIRING, ETC.



STEP 3:

USE 1/4"-20 TRUSS HEAD BOLTS, FLAT WASHERS, AND NYLOC NUTS TO ATTACH TO THE CABINET AND 1/4" SELF-TAPPING SCREWS WITH FLAT WASHERS TO FASTEN TO THE WALL