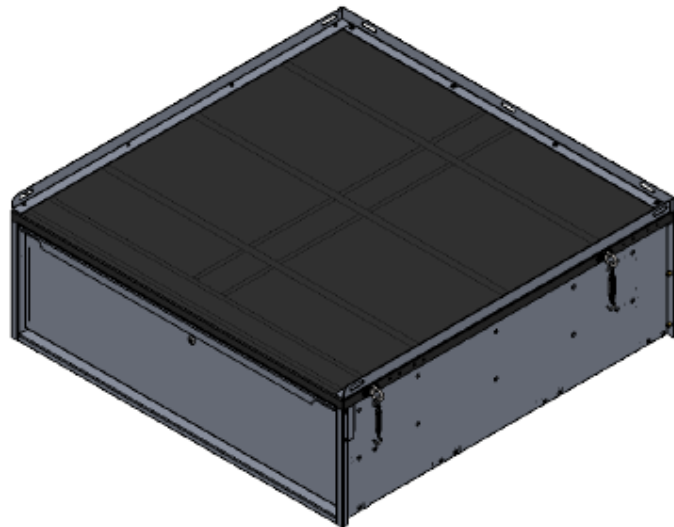
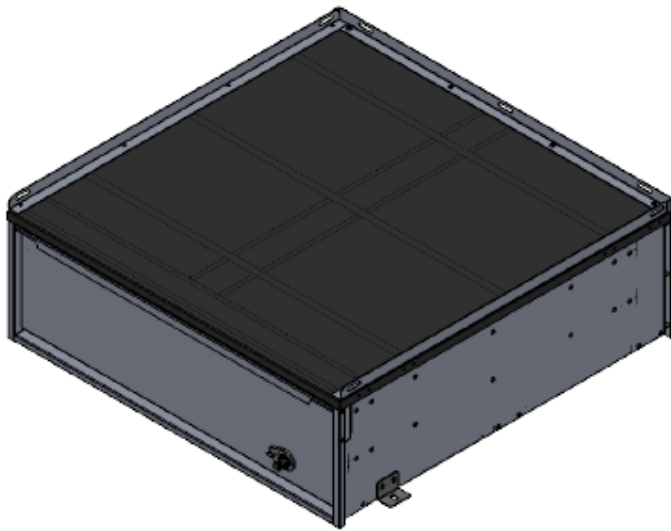


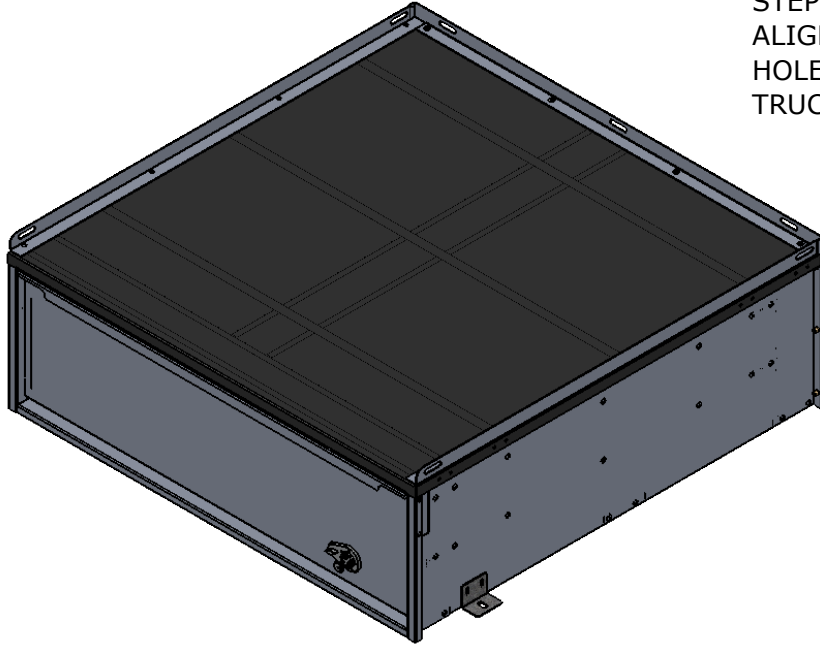


# USER GUIDE

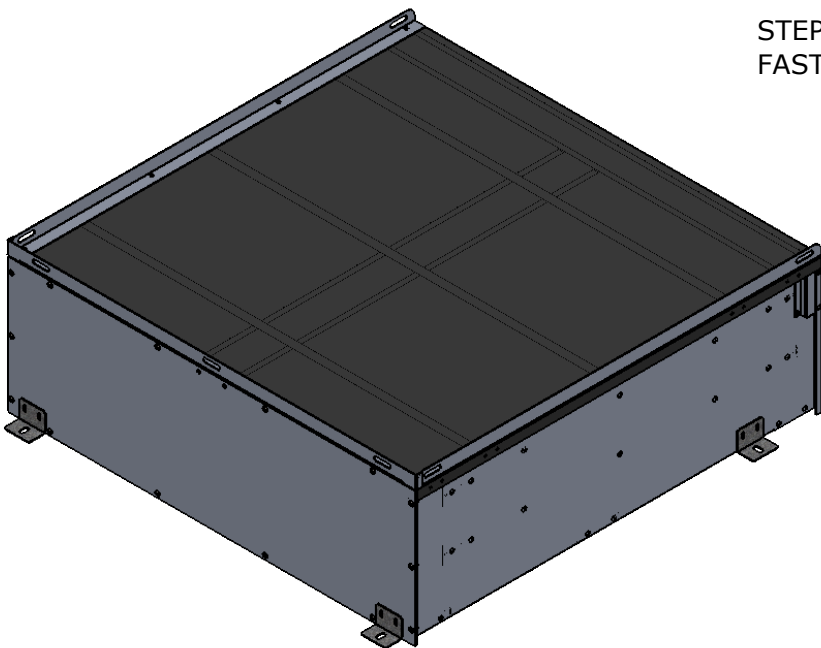
## Truck Drawer Unit



## TDU INSTALLATION WITH MOUNTING BRACKETS



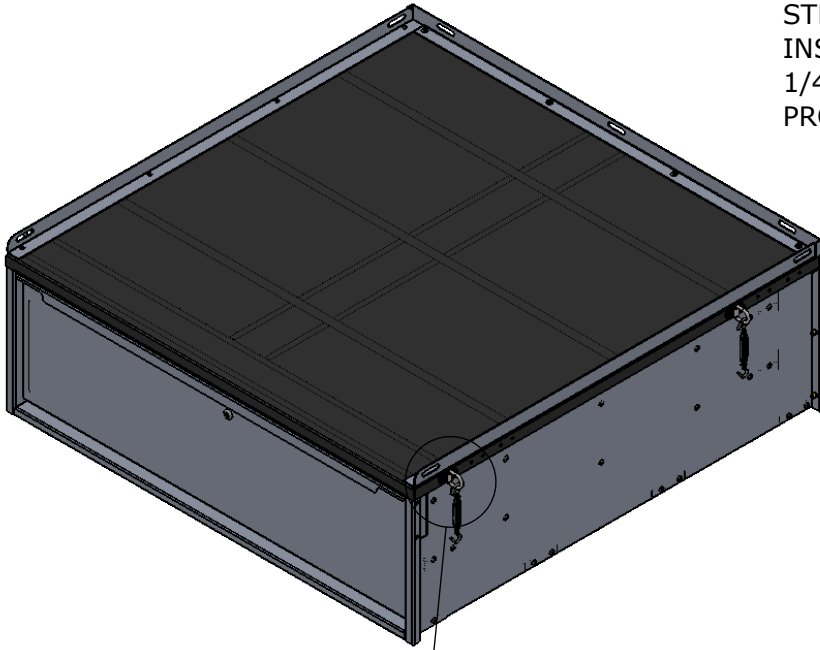
STEP 1:  
ALIGN UNIT IN CORRECT POSITION AND DRILL HOLES FOR MOUNTING BRACKETS IN BOTH THE TRUCK BED AND CABINET



STEP 2:  
FASTEN UNIT TO VEHICLE USING BOLTS

## TDU INSTALLATION WITH TURNBUCKLES

STEP 1:  
INSTALL THE D-RINGS TO SIDE OF CABINET USING  
1/4" BOLTS AND NUTS. MULTIPLE HOLES ARE  
PROVIDED FOR SUITABLE POSITIONING



STEP 2:  
ADJUST THE TURNBUCKLE TO HOOK ON THE TIE-  
DOWN RINGS IN THE TRUCK BED

